

1

2

3

4

5

6

A

A

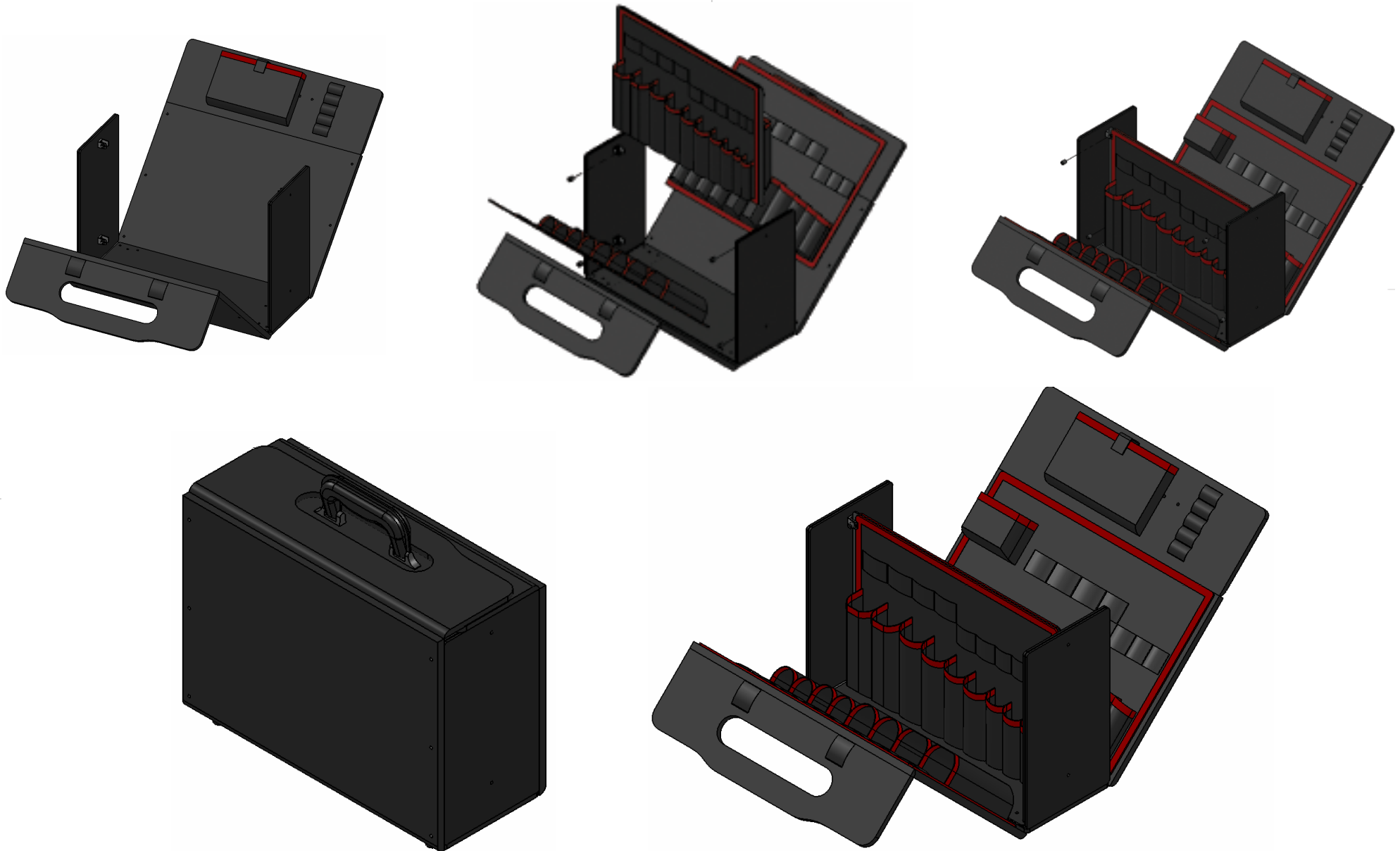
B

B

C

C

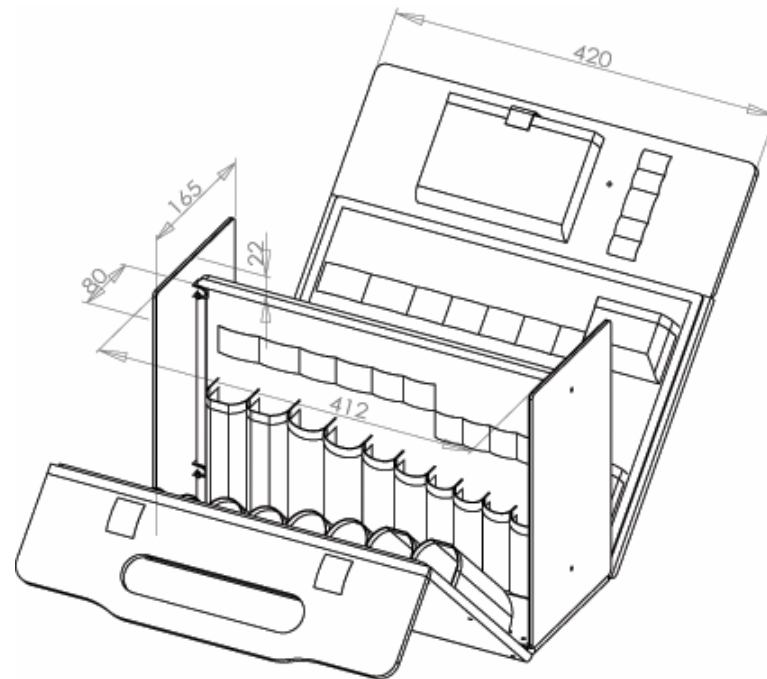
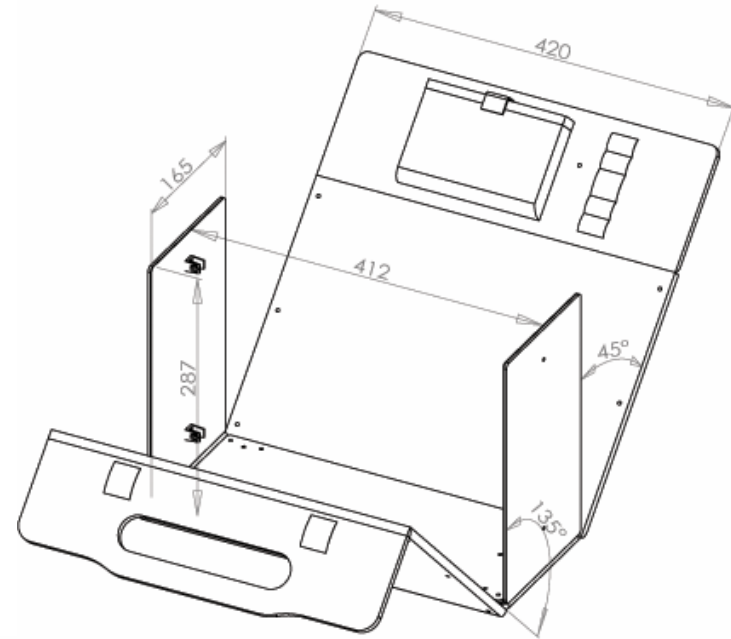
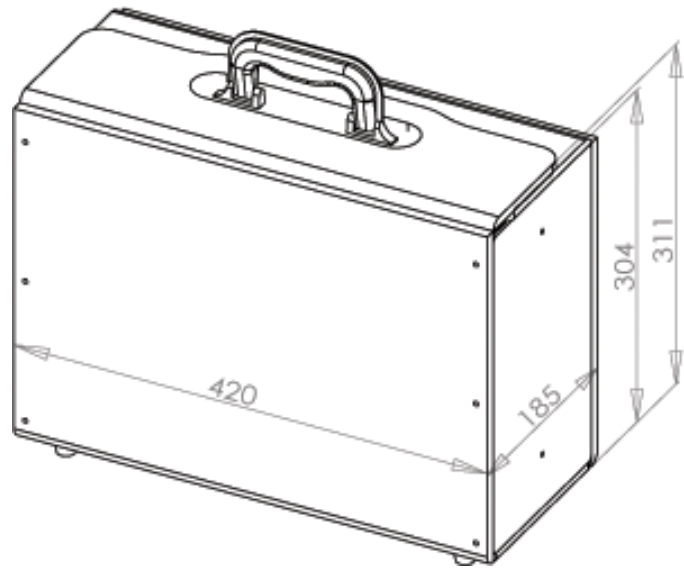
D



	NAME	DATE	北京马斯泰科贸有限公司 Beijing Master-Tec Co., Ltd.	
DRAWN			TITLE: 肩背工具箱-箱体 Shoulder tool case-body	
CHK'D			DWG NO.	FINISH:
MFG			STC-01-420A_demo	A4
UNLESS OTHERWISE SPECIFIED: DIMENSIONS ARE IN MM		MATERIAL: 真皮 Genuine leather	SCALE:1:1	SHEET 1 OF 1
WEIGHT:				

1

2



	NAME	DATE	北京马斯泰科贸有限公司 Beijing Master-Tec Co., Ltd.	
DRAWN				
CHK'D			TITLE: 肩背工具箱-箱体 Shoulder tool case-body	
MFG			DWG NO.	FINISH:
UNLESS OTHERWISE SPECIFIED: DIMENSIONS ARE IN MM			MATERIAL: 真皮 Genuine leather	STC-01-420A_demo
WEIGHT:			SCALE:1:1	A4
			SHEET 1 OF 1	

1

2

3

4

5

6

A

A

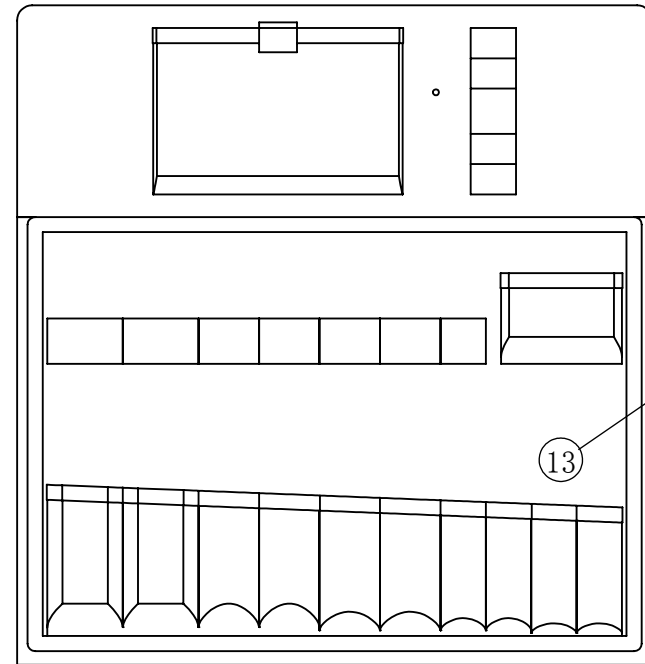
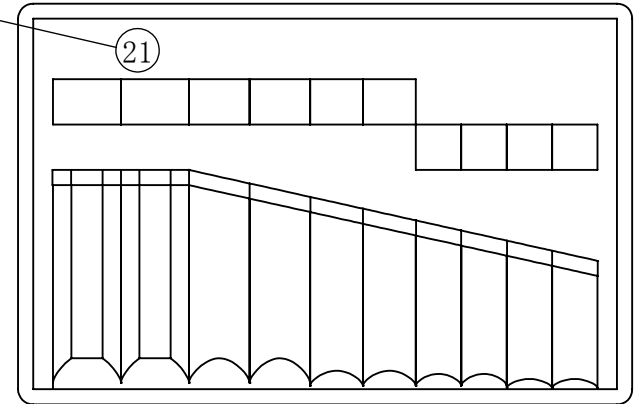
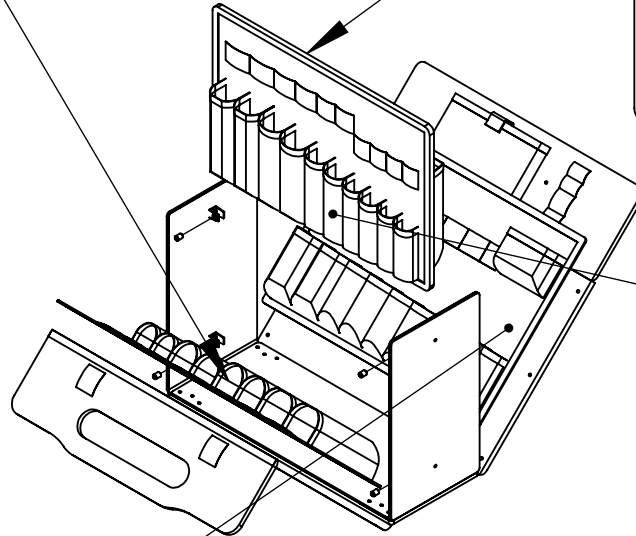
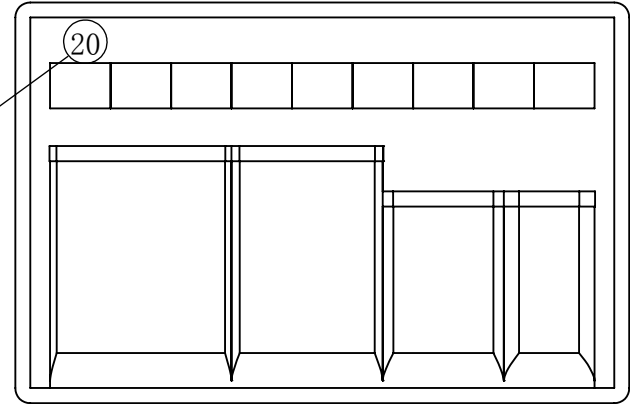
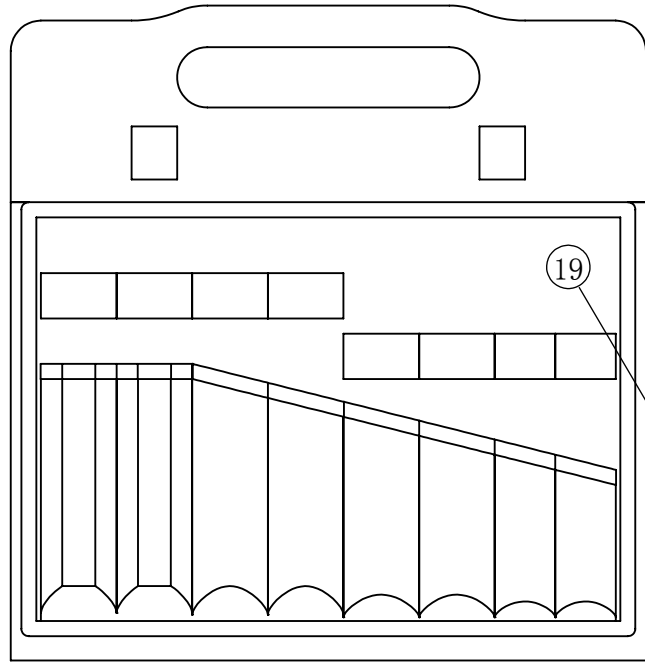
B

B

C

C

D



1

2

	NAME	DATE	北京马斯泰科贸有限公司 Beijing Master-Tec Co., Ltd.	
DRAWN			TITLE: 肩背工具箱/shoulder tool case	
CHK'D			DWG NO.	
APP'VD			STC-01-420A	FINISH: 黑色/black
MFG				A4
UNLESS OTHERWISE SPECIFIED: DIMENSIONS ARE IN MM		MATERIAL: 真皮/ genuine leather		REVISION
WEIGHT:		SCALE: 1:10	SHEET 1 OF 1	