

1 2 3 4 5 6

A

A

B

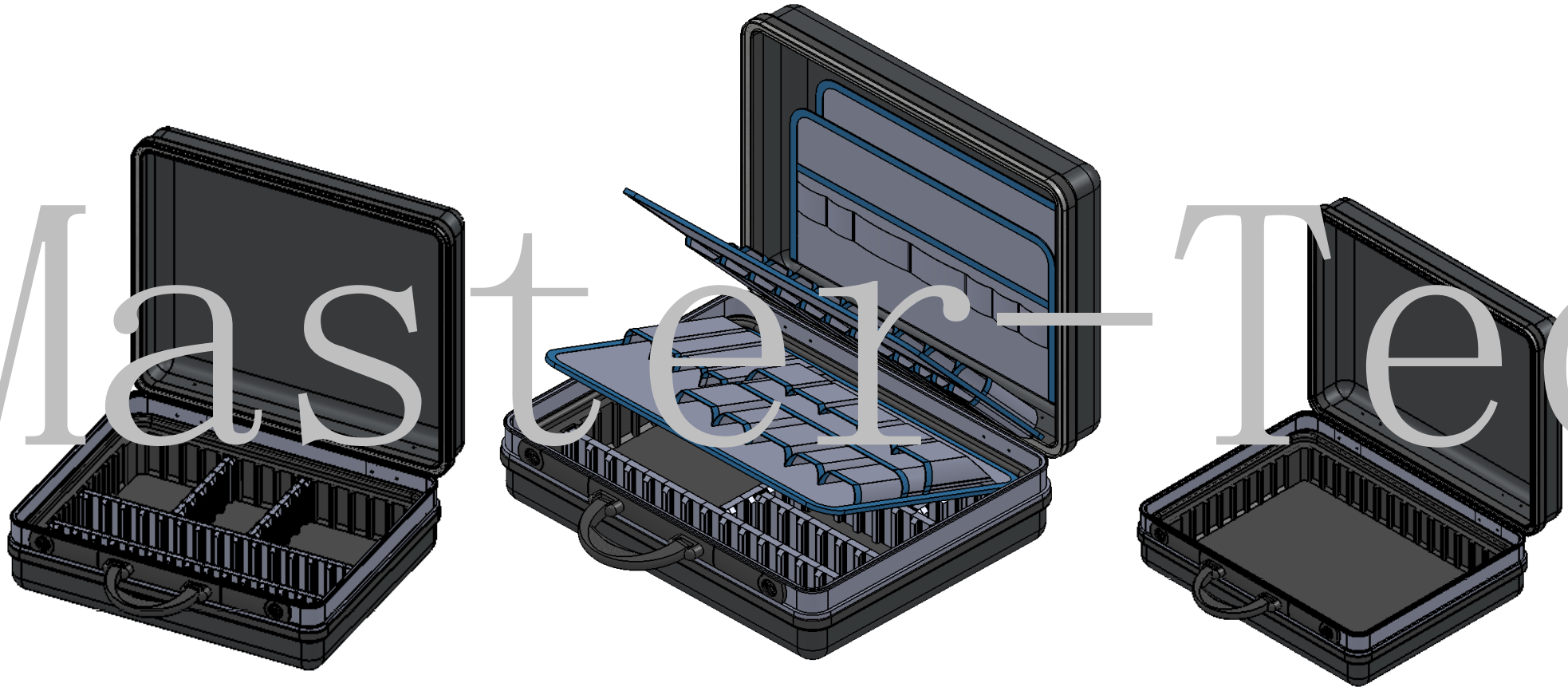
B

C

C

D

D



Master-Tec

UNLESS OTHERWISE SPECIFIED:  
 DIMENSIONS ARE IN MILLIMETERS  
 SURFACE FINISH:  
 TOLERANCES:  
 LINEAR:  
 ANGULAR:  
 FINISH:  
 DEBUR AND  
 BREAK SHARP  
 EDGES

DO NOT SCALE DRAWING REVISION

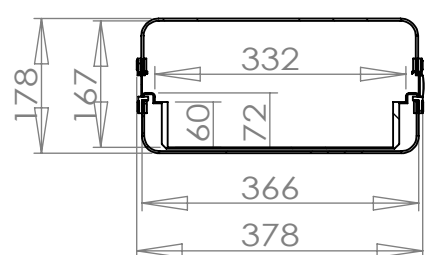
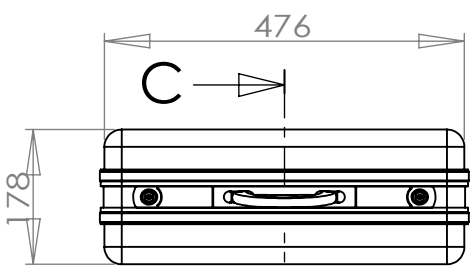
北京马斯泰科贸有限公司  
 Beijing Master-Tec Co., Ltd.

	NAME	SIGNATURE	DATE		
DRAWN					
CHK'D					
APPV'D					
MFG					
Q.A					

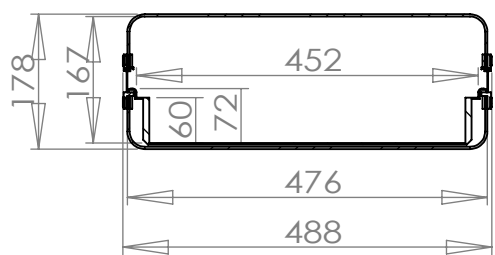
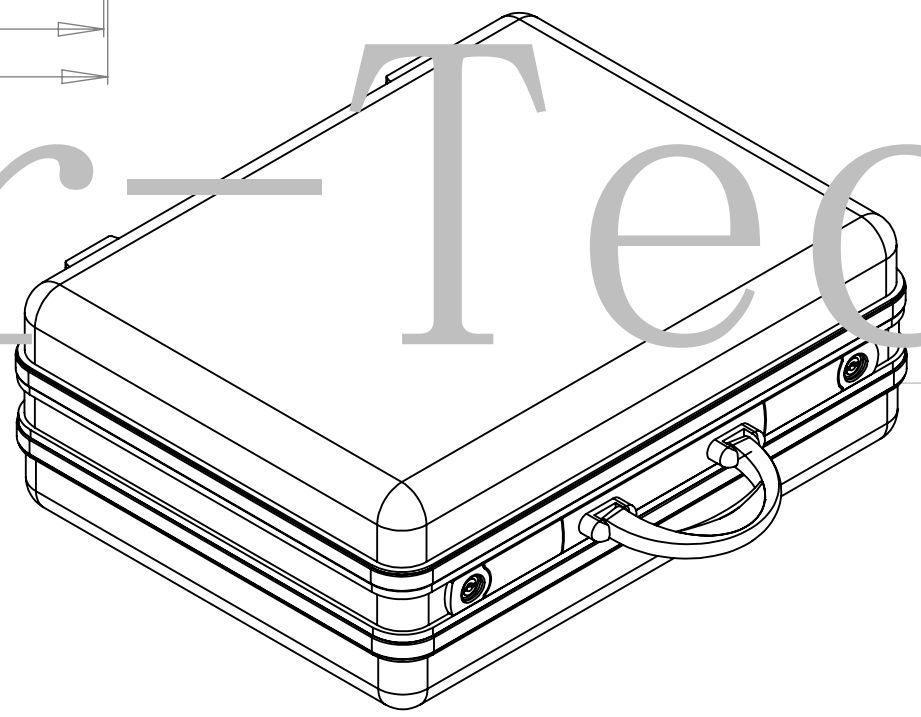
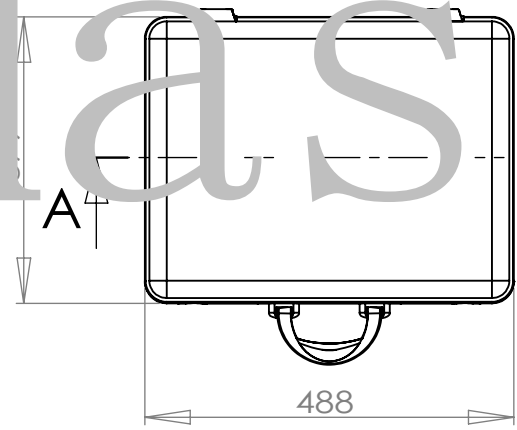
TITLE:  
 手提工具箱  
 Handy tool case

DWG NO. HTC-02-455 A4

1 2 WEIGHT: SCALE:1:1 SHEET 1 OF 1



剖面 C-C



剖面 A-A

UNLESS OTHERWISE SPECIFIED:  
 DIMENSIONS ARE IN MILLIMETERS  
 SURFACE FINISH:  
 TOLERANCES:  
 LINEAR:  
 ANGULAR:

FINISH:

DEBUR AND  
 BREAK SHARP  
 EDGES

DO NOT SCALE DRAWING

REVISION

北京马斯泰科贸有限公司  
 Beijing Master-Tec Co., Ltd.

	NAME	SIGNATURE	DATE		
DRAWN					
CHK'D					
APPV'D					
MFG					
Q.A					

TITLE:  
 手提工具箱  
 Hnady tool case

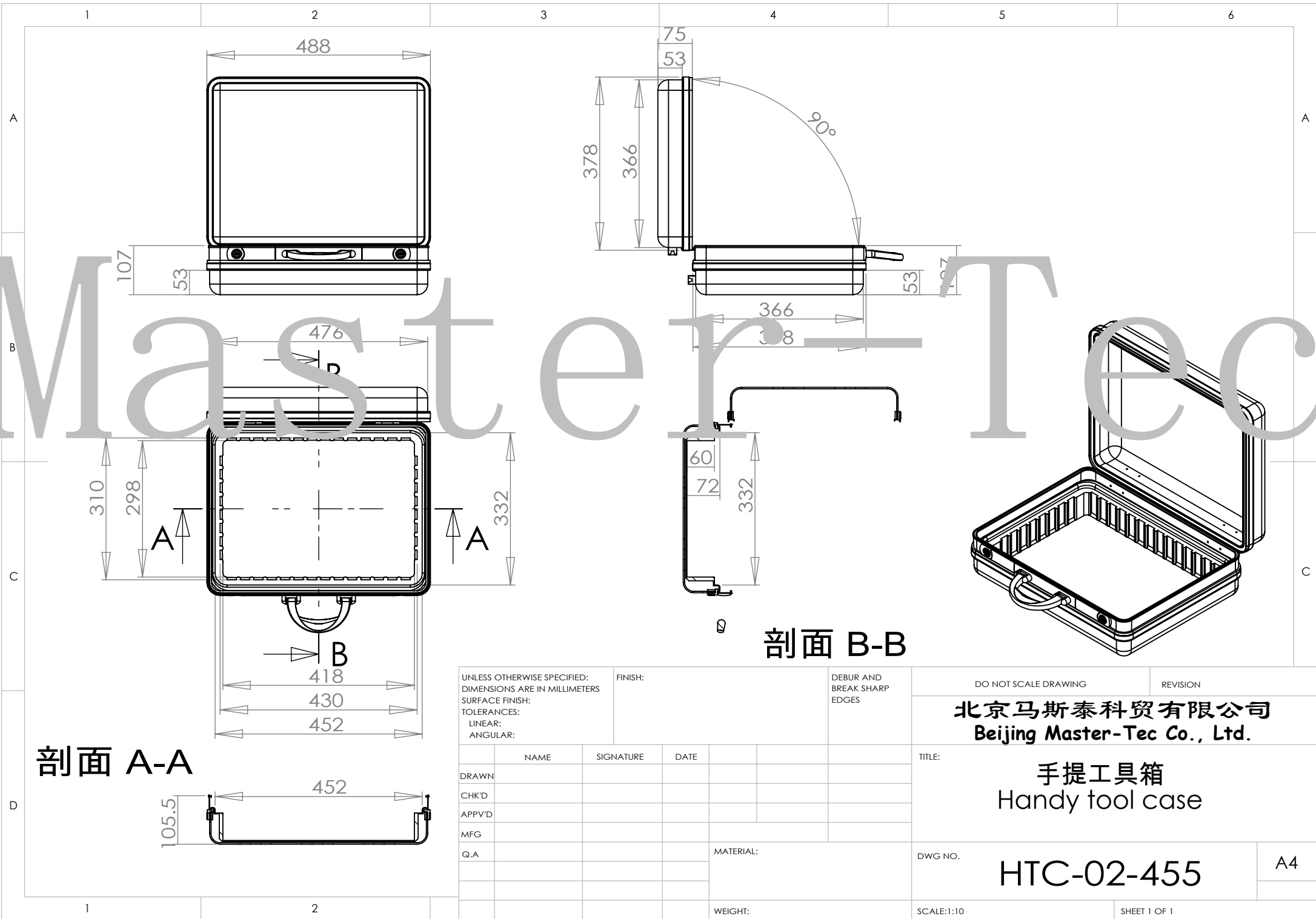
DWG NO. HTC-02-455

A4

WEIGHT:

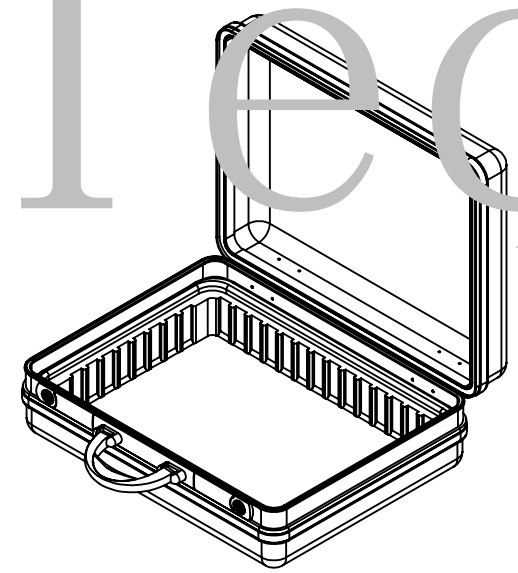
SCALE:1:10

SHEET 1 OF 1



剖面 A-A

剖面 B-B



UNLESS OTHERWISE SPECIFIED:  
DIMENSIONS ARE IN MILLIMETERS  
SURFACE FINISH:  
TOLERANCES:  
LINEAR:  
ANGULAR:

FINISH:

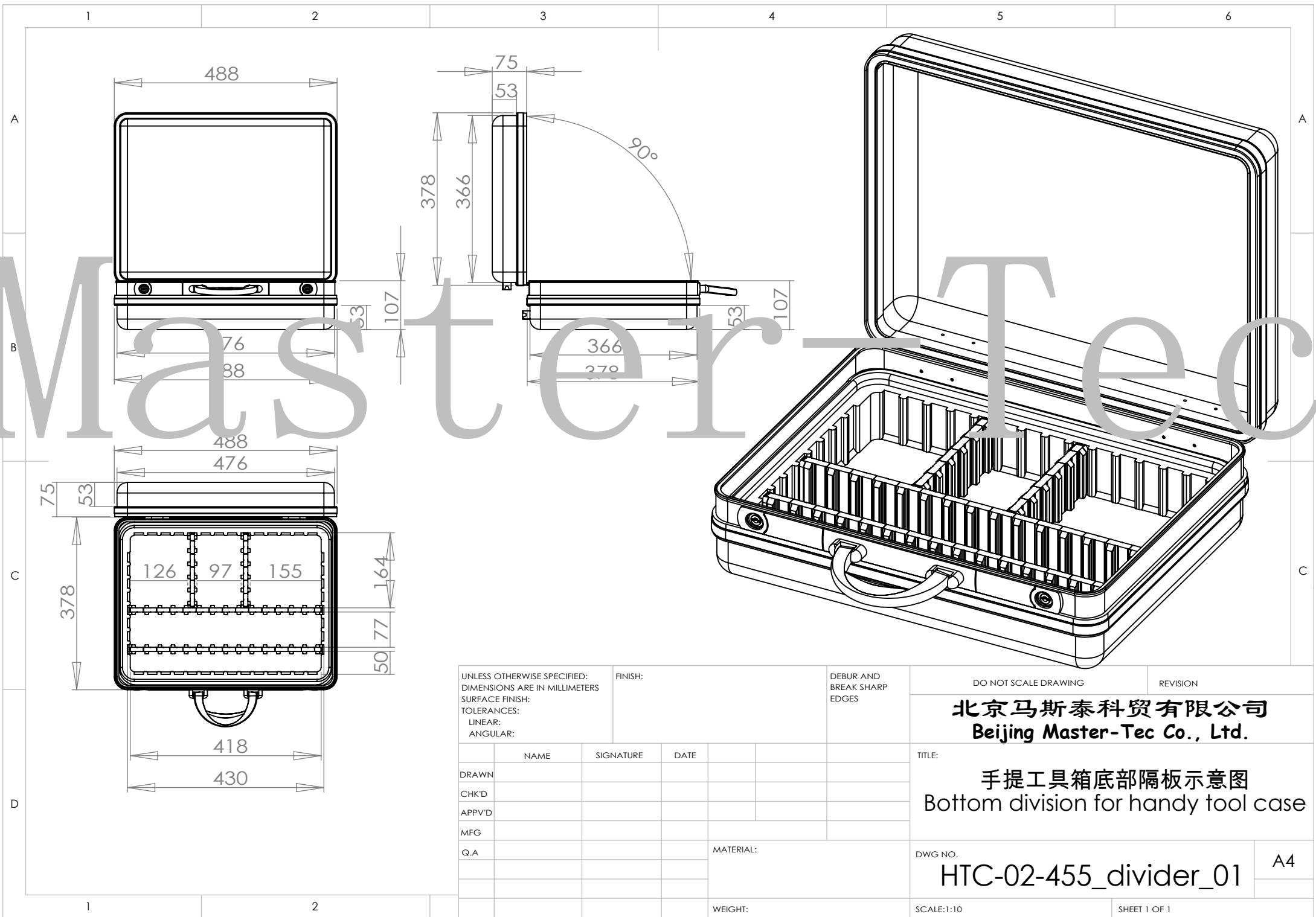
DEBUR AND  
BREAK SHARP  
EDGES

NAME	SIGNATURE	DATE		
DRAWN				
CHK'D				
APPV'D				
MFG				
Q.A				

MATERIAL:

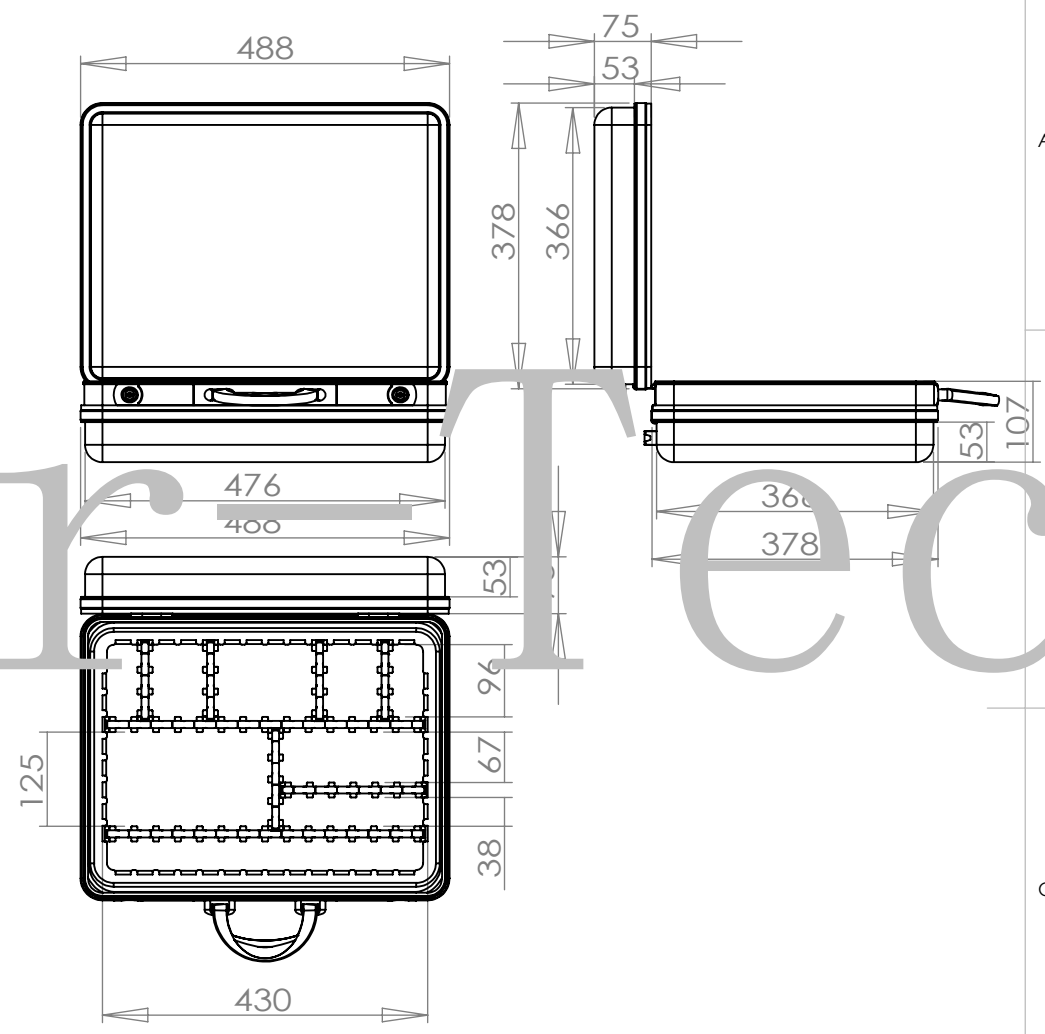
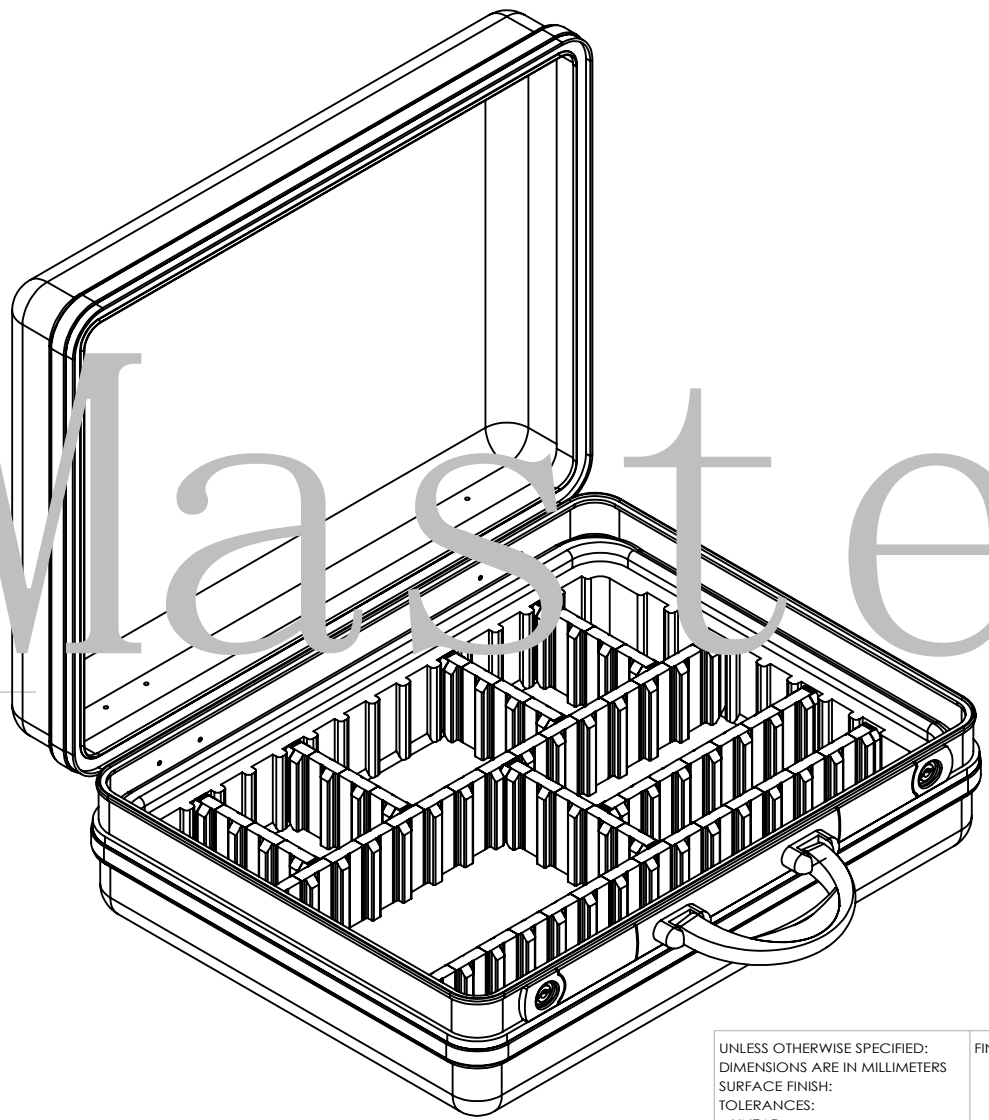
WEIGHT:

DO NOT SCALE DRAWING	REVISION
北京马斯泰科贸有限公司 Beijing Master-Tec Co., Ltd.	
TITLE: 手提工具箱 Handy tool case	
DWG NO. HTC-02-455	A4
SCALE:1:10	SHEET 1 OF 1



UNLESS OTHERWISE SPECIFIED: DIMENSIONS ARE IN MILLIMETERS SURFACE FINISH: TOLERANCES: LINEAR: ANGULAR:		FINISH:		DEBUR AND BREAK SHARP EDGES	
DRAWN	NAME	SIGNATURE	DATE		
CHK'D					
APPV'D					
MFG					
Q.A				MATERIAL:	
				WEIGHT:	

DO NOT SCALE DRAWING		REVISION	
<b>北京马斯泰科贸有限公司</b> <b>Beijing Master-Tec Co., Ltd.</b>			
TITLE:			
手提工具箱底部隔板示意图 Bottom division for handy tool case			
DWG NO.		A4	
<b>HTC-02-455_divider_01</b>			
SCALE:1:10	SHEET 1 OF 1		



UNLESS OTHERWISE SPECIFIED:  
 DIMENSIONS ARE IN MILLIMETERS  
 SURFACE FINISH:  
 TOLERANCES:  
 LINEAR:  
 ANGULAR:

FINISH:

DEBUR AND  
 BREAK SHARP  
 EDGES

DO NOT SCALE DRAWING

REVISION

**北京马斯泰科贸有限公司**  
**Beijing Master-Tec Co., Ltd.**

	NAME	SIGNATURE	DATE		
DRAWN					
CHK'D					
APPV'D					
MFG					
Q.A					

TITLE:

**手提工具箱底部分隔示意图**  
**Bottom division for handy tool case**

WEIGHT:

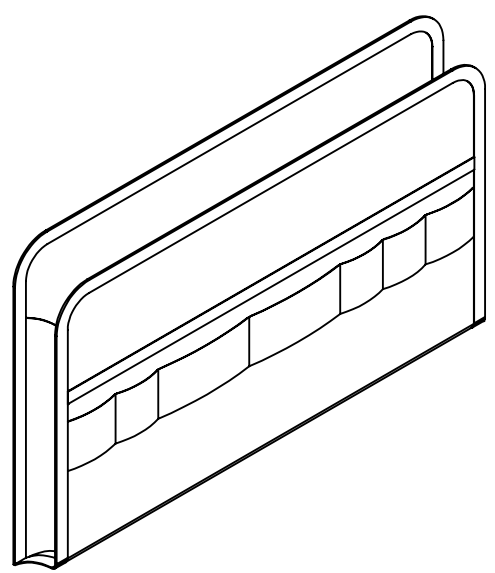
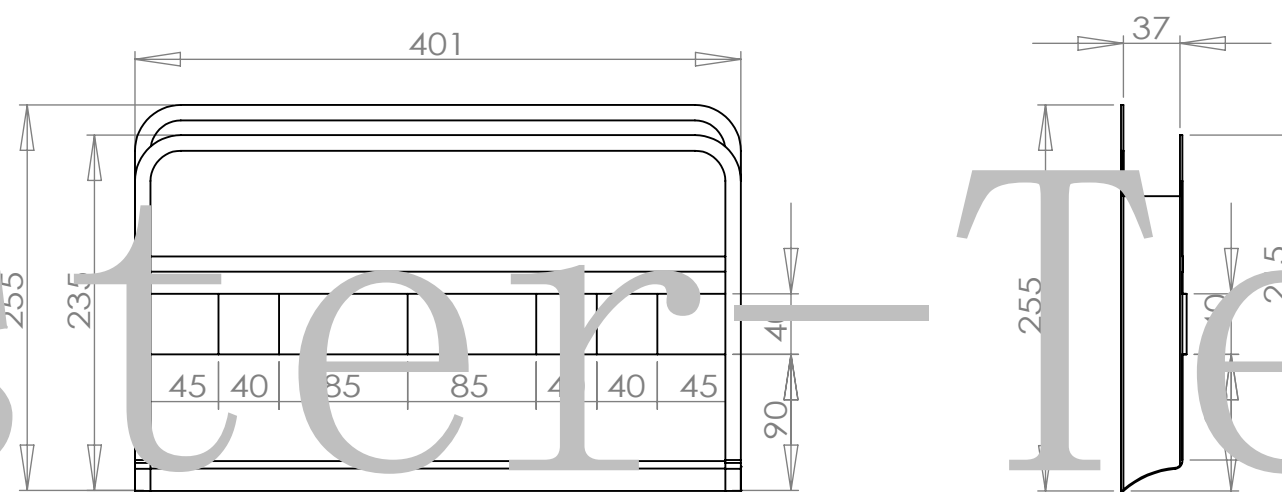
DWG NO.  
**HTC-02-455\_divider\_02**

A4

SCALE:1:1

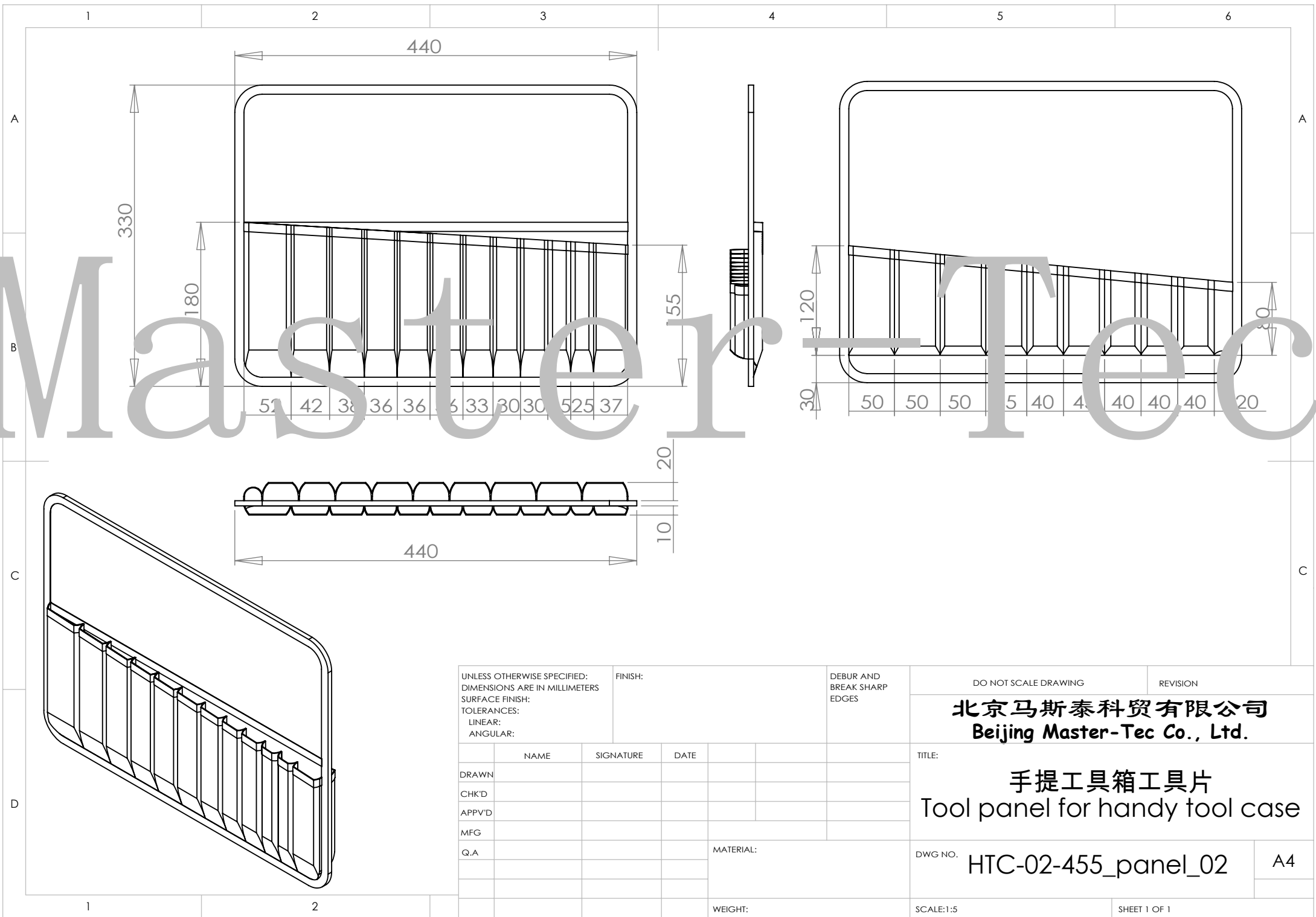
SHEET 1 OF 1

# Master-Tec



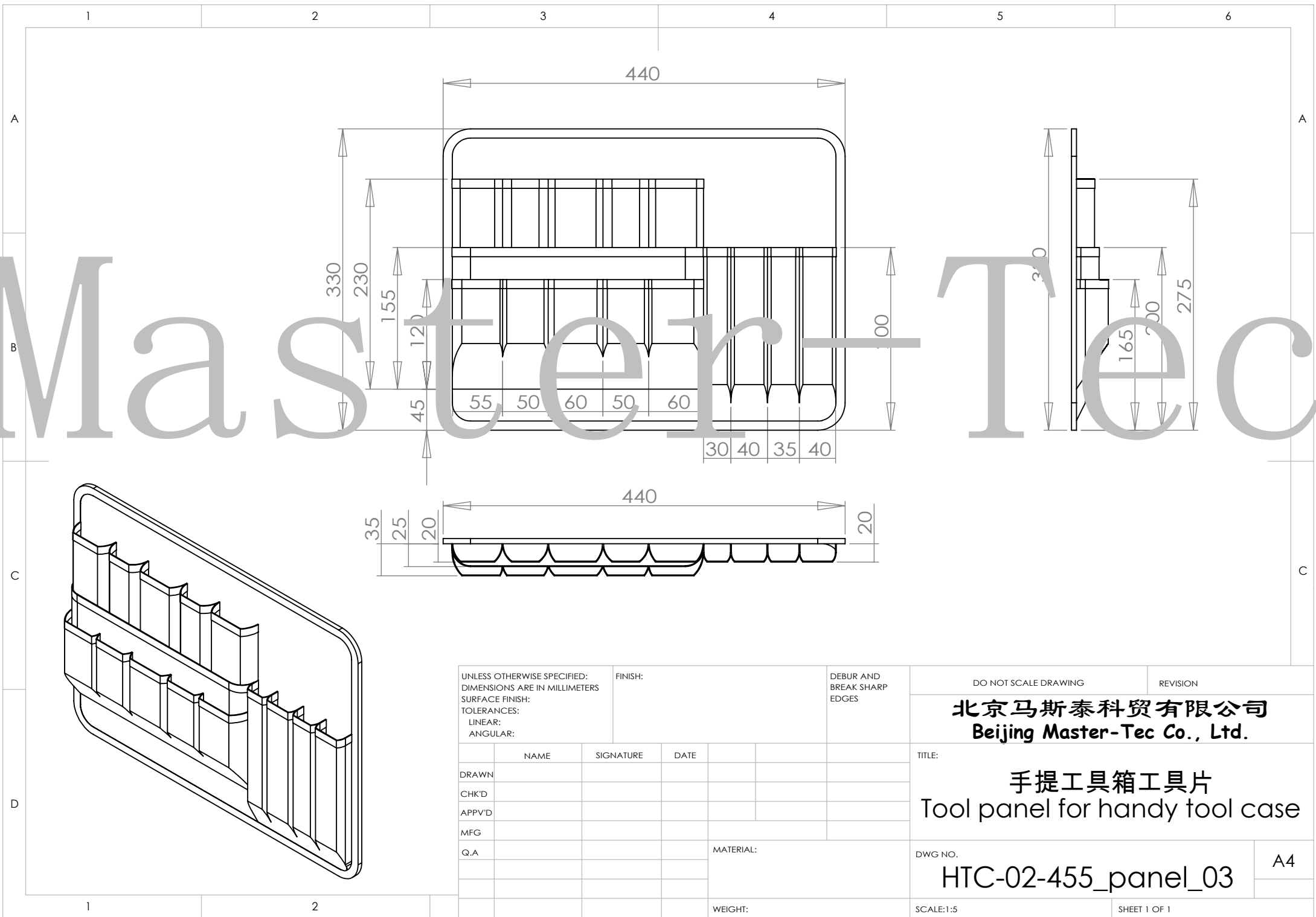
UNLESS OTHERWISE SPECIFIED: DIMENSIONS ARE IN MILLIMETERS SURFACE FINISH: TOLERANCES: LINEAR: ANGULAR:		FINISH:		DEBUR AND BREAK SHARP EDGES	
NAME	SIGNATURE	DATE			
DRAWN					
CHK'D					
APPV'D					
MFG					
Q.A				MATERIAL:	
				WEIGHT:	

DO NOT SCALE DRAWING		REVISION
<b>北京马斯泰科贸有限公司</b> <b>Beijing Master-Tec Co., Ltd.</b>		
TITLE:		
手提工具箱工具片 Tool panel for handy tool case		
DWG NO.	A4	
HTC-02-455_panel_01		
SCALE:1:5	SHEET 1 OF 1	



UNLESS OTHERWISE SPECIFIED: DIMENSIONS ARE IN MILLIMETERS SURFACE FINISH: TOLERANCES: LINEAR: ANGULAR:				FINISH:		DEBUR AND BREAK SHARP EDGES	
DRAWN	NAME	SIGNATURE	DATE				
CHK'D							
APPV'D							
MFG							
Q.A					MATERIAL:		
					WEIGHT:		

DO NOT SCALE DRAWING		REVISION	
<b>北京马斯泰科贸有限公司</b> <b>Beijing Master-Tec Co., Ltd.</b>			
TITLE:			
手提工具箱工具片 Tool panel for handy tool case			
DWG NO.		A4	
HTC-02-455_panel_02			
SCALE:1:5		SHEET 1 OF 1	



UNLESS OTHERWISE SPECIFIED: DIMENSIONS ARE IN MILLIMETERS SURFACE FINISH: TOLERANCES: LINEAR: ANGULAR:		FINISH:		DEBUR AND BREAK SHARP EDGES	
DRAWN	NAME	SIGNATURE	DATE		
CHK'D					
APPV'D					
MFG					
Q.A				MATERIAL:	
				WEIGHT:	

DO NOT SCALE DRAWING		REVISION	
<b>北京马斯泰科贸有限公司</b> <b>Beijing Master-Tec Co., Ltd.</b>			
TITLE:			
<b>手提工具箱工具片</b> <b>Tool panel for handy tool case</b>			
DWG NO.		A4	
<b>HTC-02-455_panel_03</b>			
SCALE:1:5	SHEET 1 OF 1		