

1

2

3

4

5

6

A

A

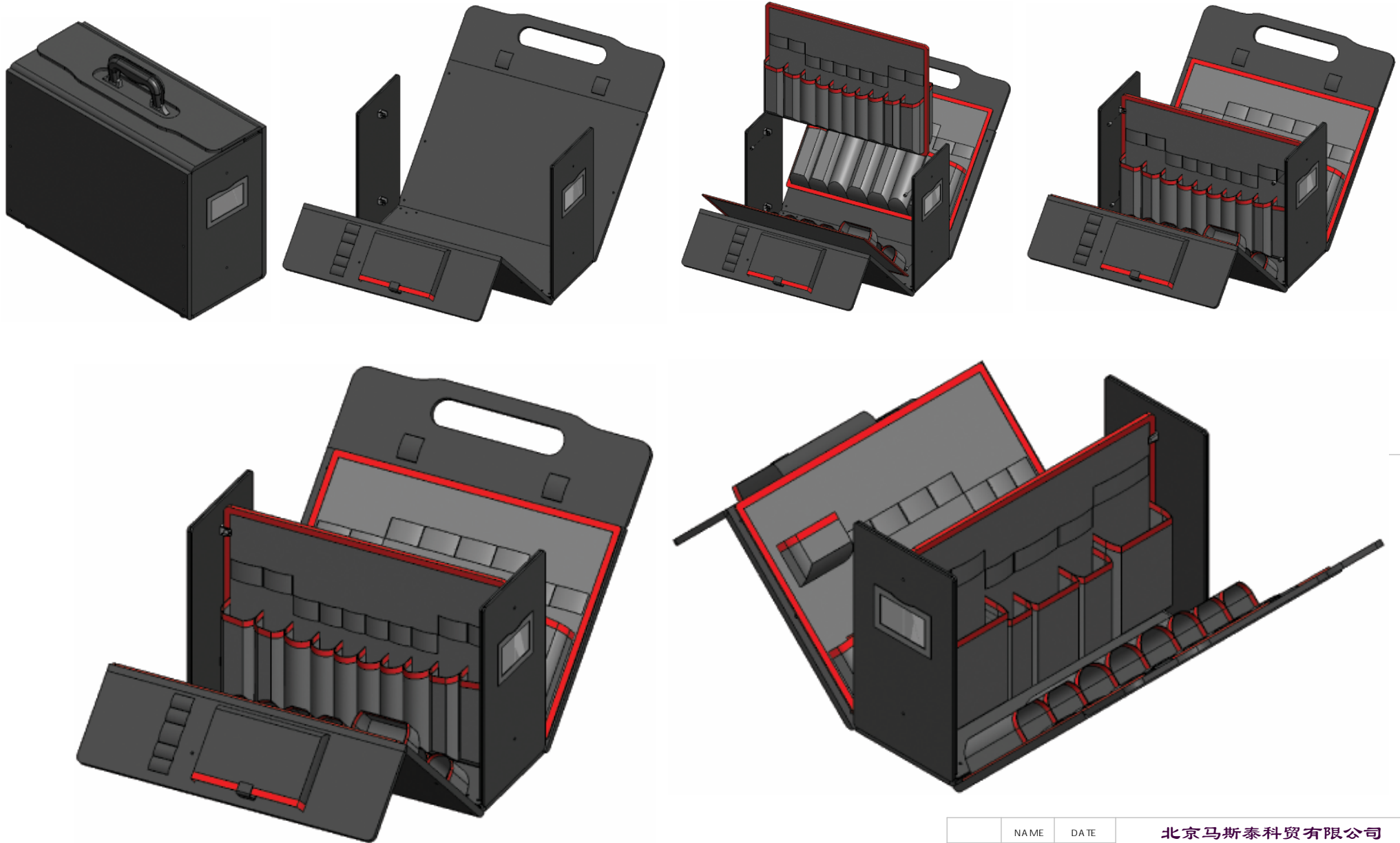
B

B

C

C

D



	NAME	DATE	北京马斯泰科贸有限公司 Beijing Master-Tec Co., Ltd.	
DRAWN			TITLE: 450mm手提式机舱用工具箱 450mm width handy tool case for cabin	
CHK'D			DWG NO. HTC -01-450A 01_demo	
MFG			FINISH: A 4	
UNLESS OTHERWISE SPECIFIED: DIMENSIONS ARE IN MM		MATERIAL:		
WEIGHT:		SCALE: 1:10	SHEET 1 OF 1	

1

2

1 2 3 4 5 6

A

B

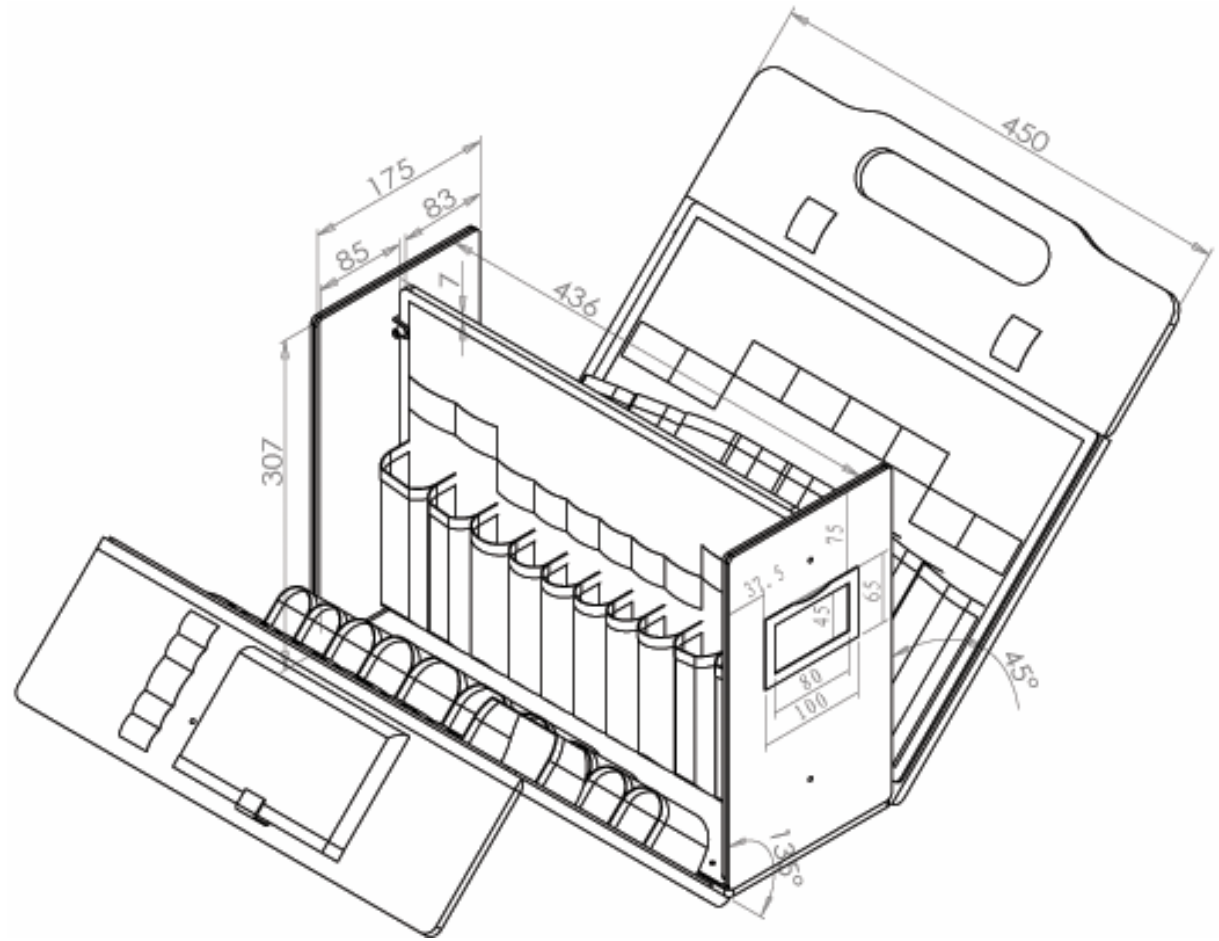
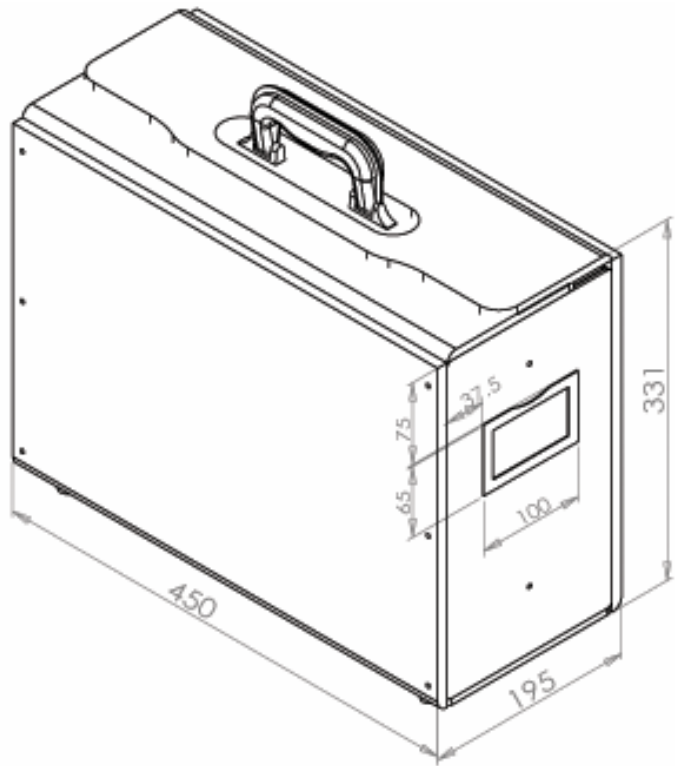
C

D

A

B

C



	NAME	DATE	北京马斯泰科贸有限公司 Beijing Master-Tec Co., Ltd.	
DRAWN			TITLE: 450mm手提式机舱用工具箱 450mm width handy tool case for cabin	
CHK'D			DWG NO. HTC -01-450A 01_demo	
MFG			FINISH: A 4	
UNLESS OTHERWISE SPECIFIED: DIMENSIONS ARE IN MM		MATERIAL:	SCALE: 1:10	SHEET 1 OF 1
WEIGHT:				

1 2 3 4 5 6

