

1

2

3

4

5

6

A

A

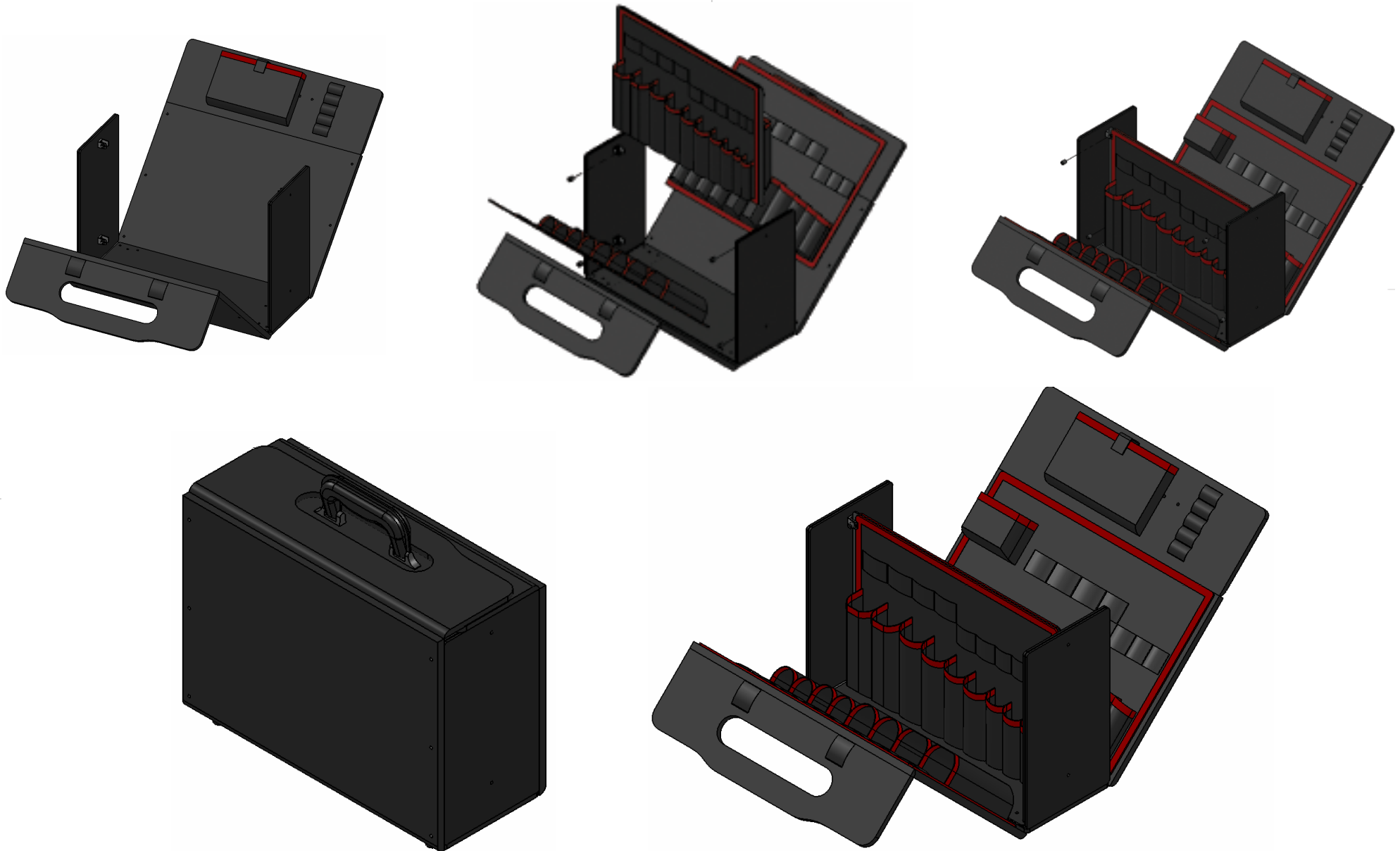
B

B

C

C

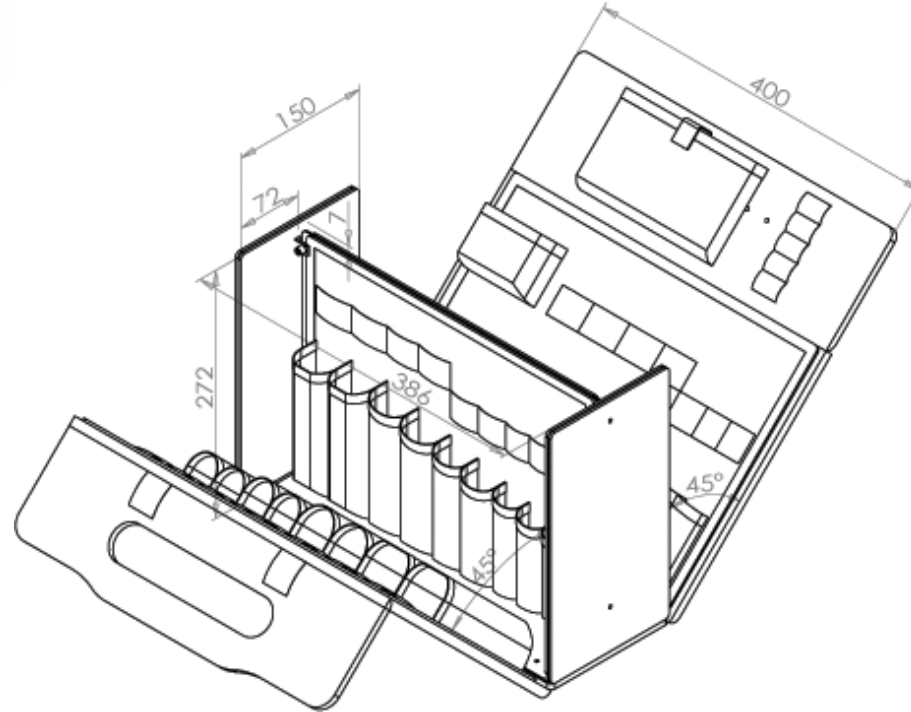
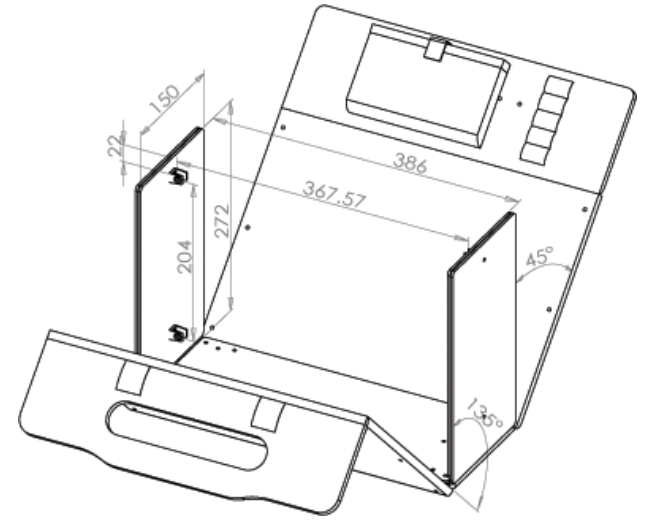
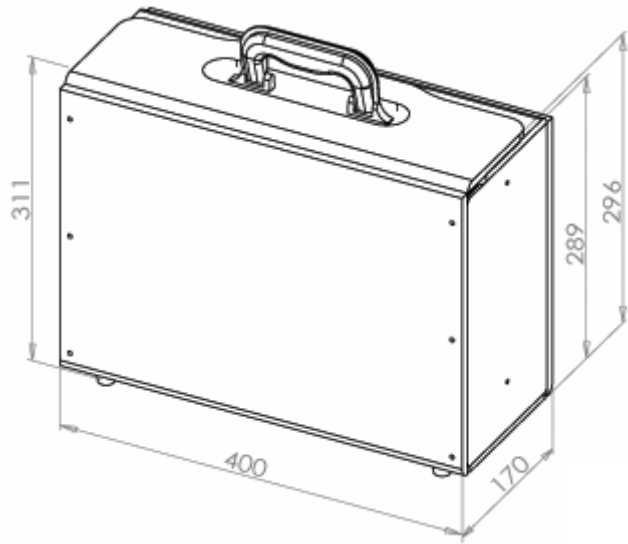
D



	NAME	DATE	北京马斯泰科贸有限公司 Beijing Master-Tec Co., Ltd.	
DRAWN			TITLE: 肩背工具箱-箱体 Shoulder tool case-body	
CHK'D			DWG NO. STC-01-400A_demo	
MFG			FINISH:	A4
UNLESS OTHERWISE SPECIFIED: DIMENSIONS ARE IN MM		MATERIAL: 真皮 Genuine leather	SCALE:1:1	SHEET 1 OF 1
WEIGHT:				

1

2



	NAME	DATE	北京马斯泰科贸有限公司 Beijing Master-Tec Co., Ltd.	
DRAWN			TITLE: 肩背工具箱-箱体 Shoulder tool case-body	
CHK'D			DWG NO.	FINISH:
MFG			STC-01-400A_demo	A4
UNLESS OTHERWISE SPECIFIED: DIMENSIONS ARE IN MM		MATERIAL: 真皮 Genuine leather	SCALE:1:1	SHEET 1 OF 1
WEIGHT:				

1

2

3

4

5

6

A

A

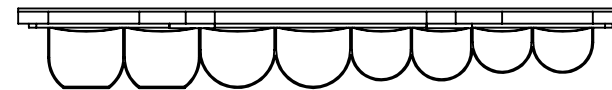
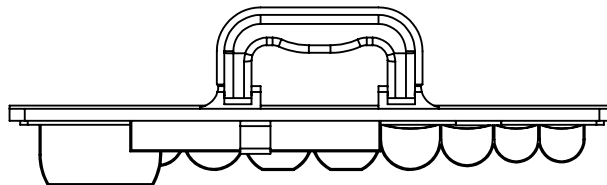
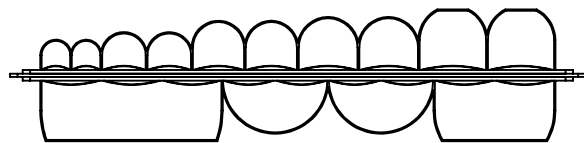
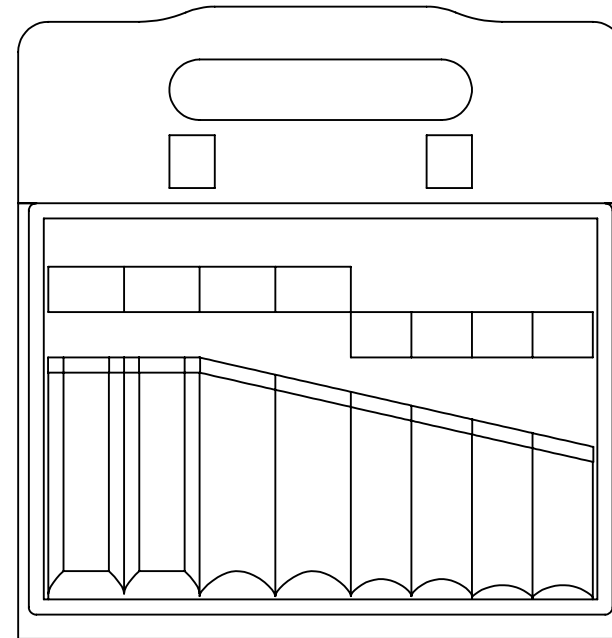
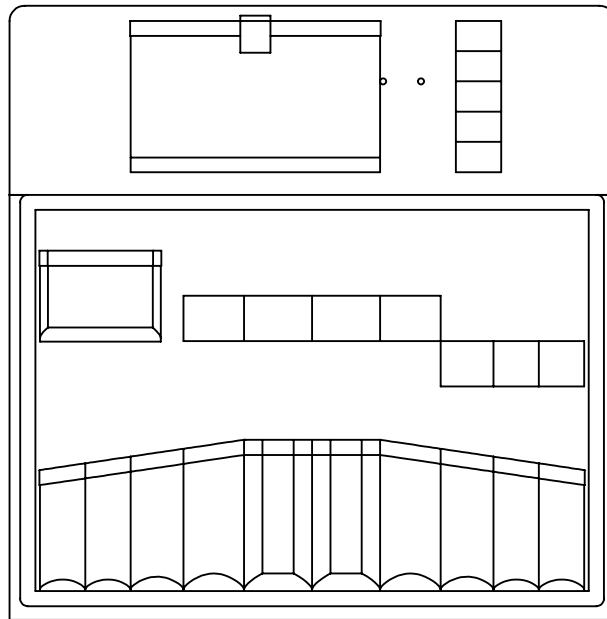
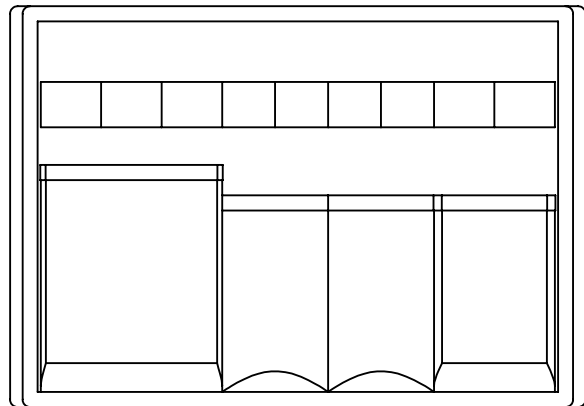
B

B

C

C

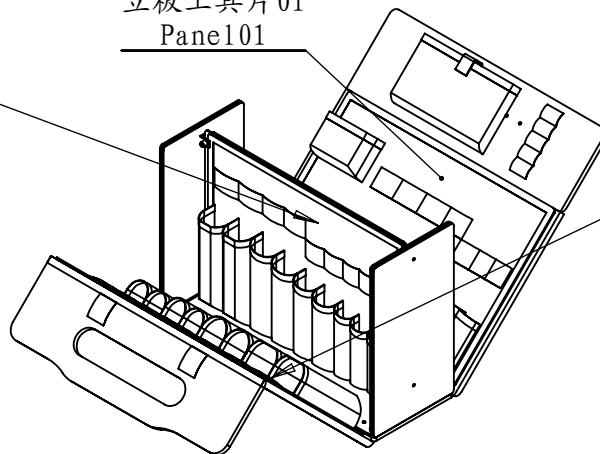
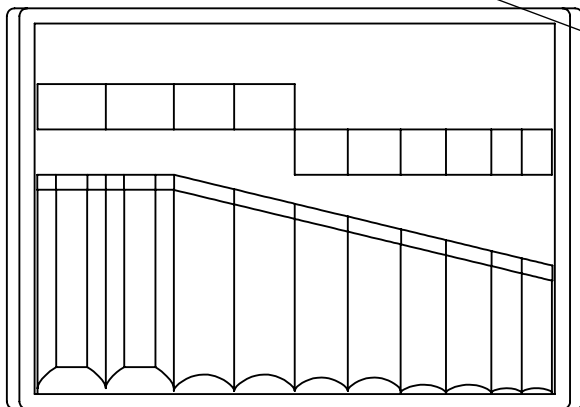
D



隔板工具片
Pallet

立板工具片01
Panel01

立板工具片02
Panel02



	NAME	DATE	北京马斯泰科贸有限公司 Beijing Master-Tec Co., Ltd.	
DRAWN			TITLE: 肩背式箱体-箱体 Shoulder case-body only	
CHK'D			DWG NO.	FINISH:
MFG			STC-01-400a_demo	A4
UNLESS OTHERWISE SPECIFIED: DIMENSIONS ARE IN MM		MATERIAL: 真皮 Genuine leather	SCALE:1:10	SHEET 1 OF 1
WEIGHT:				

1

2