



1 2 3 4 5 6

A

B

C

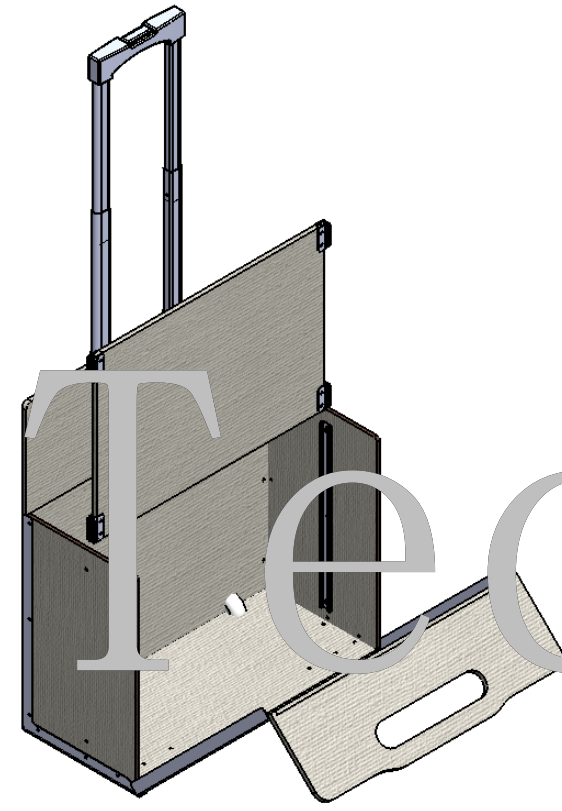
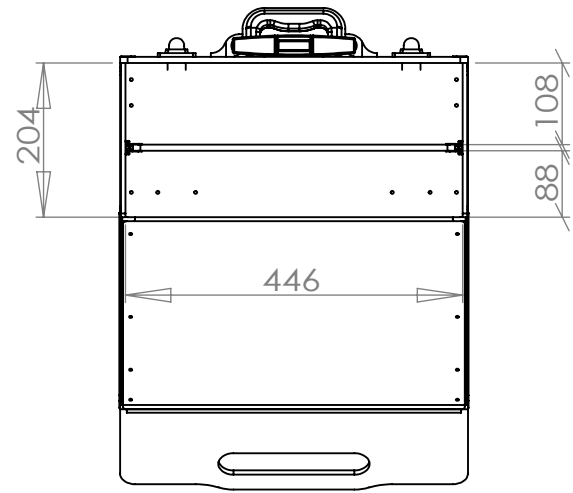
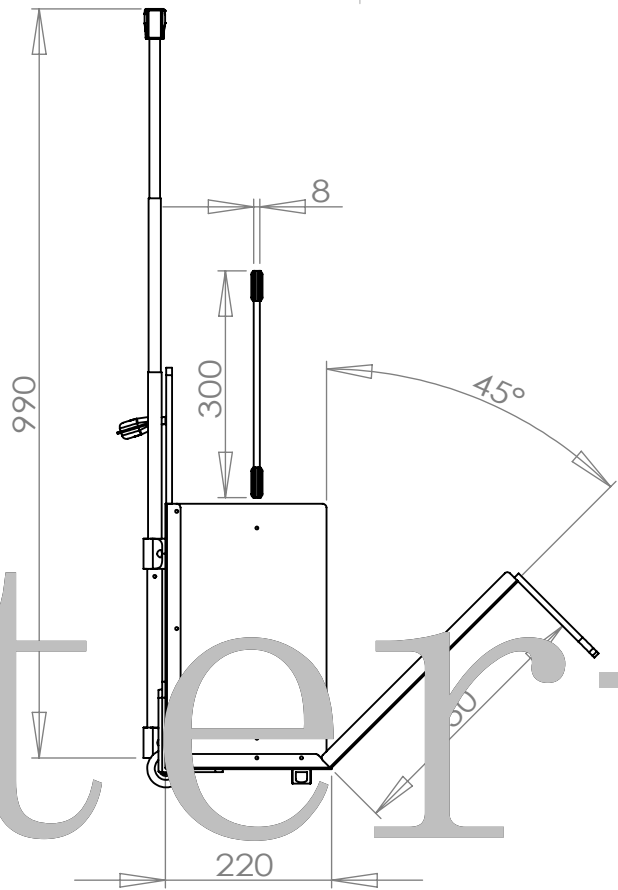
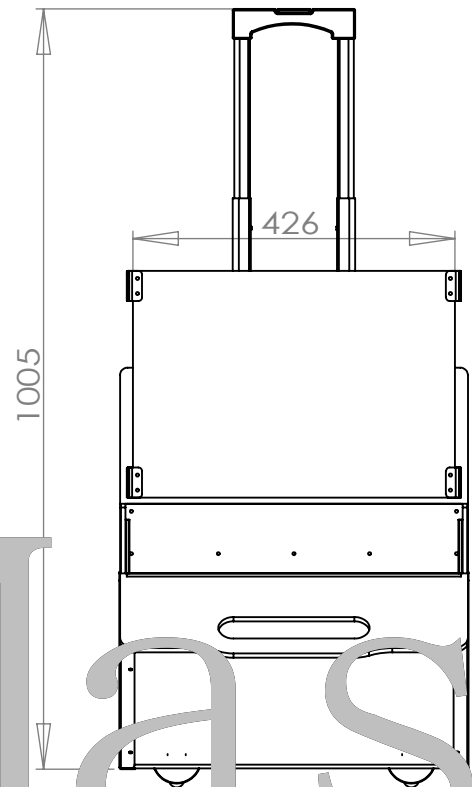
D

A

B

C

D



UNLESS OTHERWISE SPECIFIED:  
 DIMENSIONS ARE IN MILLIMETERS  
 SURFACE FINISH:  
 TOLERANCES:  
 LINEAR:  
 ANGULAR:

FINISH:  
 Genuine leather, black

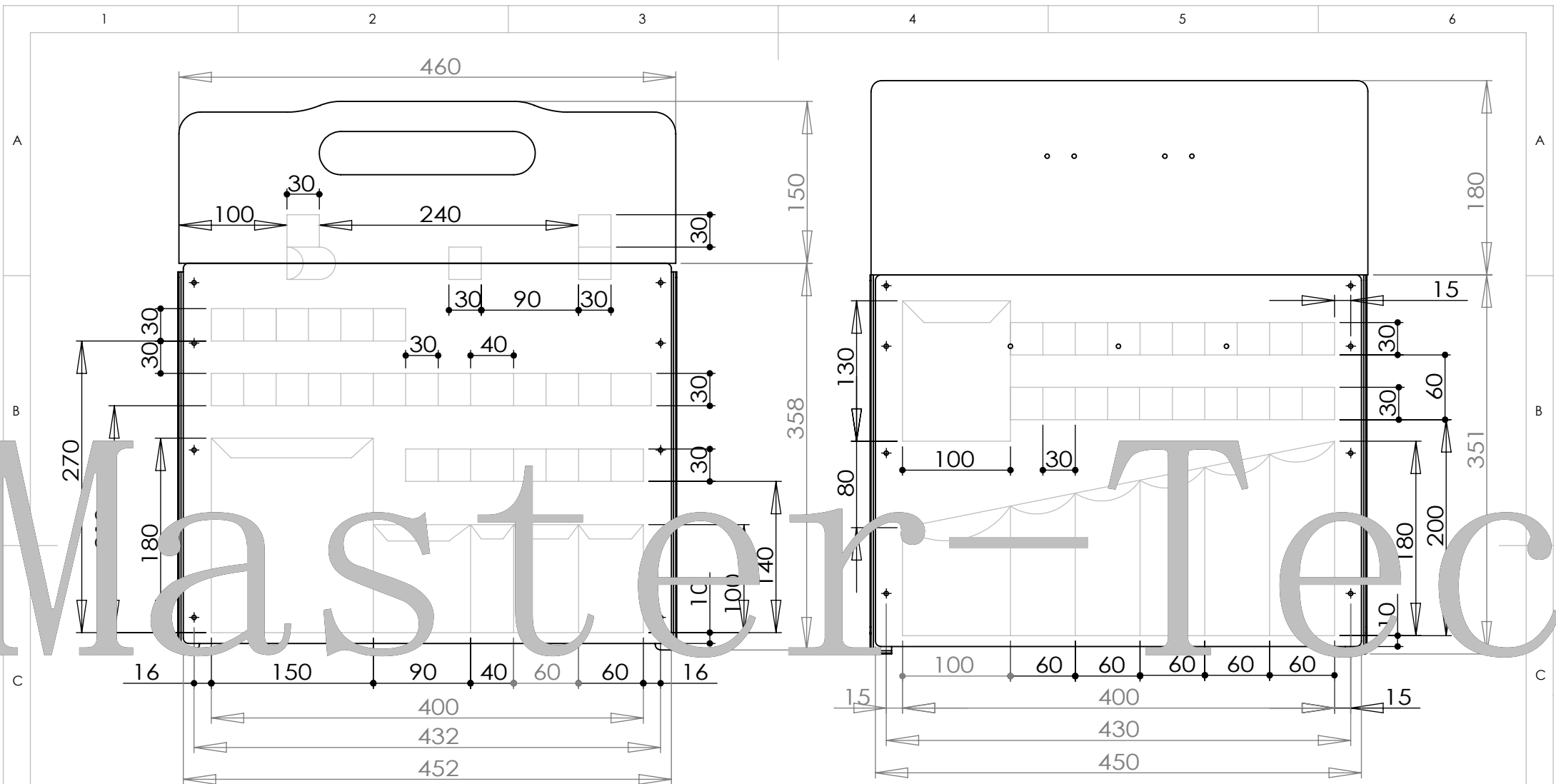
DEBUR AND  
 BREAK SHARP  
 EDGES

DO NOT SCALE DRAWING REVISION

Beijing Master-Tec Co., Ltd.

	NAME	SIGNATURE	DATE		
DRAWN					
CHK'D					
APPV'D					
MFG					
Q.A					
				MATERIAL:	Exterior: genuine leather Interior: oxford
				WEIGHT:	7.2kg, net

TITLE:	Roller tool case	
DWG. NO.	RTC-01-460	A4
SCALE:	1:10	SHEET 1 OF 1



UNLESS OTHERWISE SPECIFIED:  
 DIMENSIONS ARE IN MILLIMETERS  
 SURFACE FINISH:  
 TOLERANCES:  
 LINEAR:  
 ANGULAR:

FINISH:

DEBUR AND  
 BREAK SHARP  
 EDGES

DO NOT SCALE DRAWING

REVISION

	NAME	SIGNATURE	DATE		
DRAWN					
CHK'D					
APPV'D					
MFG					
Q.A					

Beijing Master-Tec Co. Ltd.

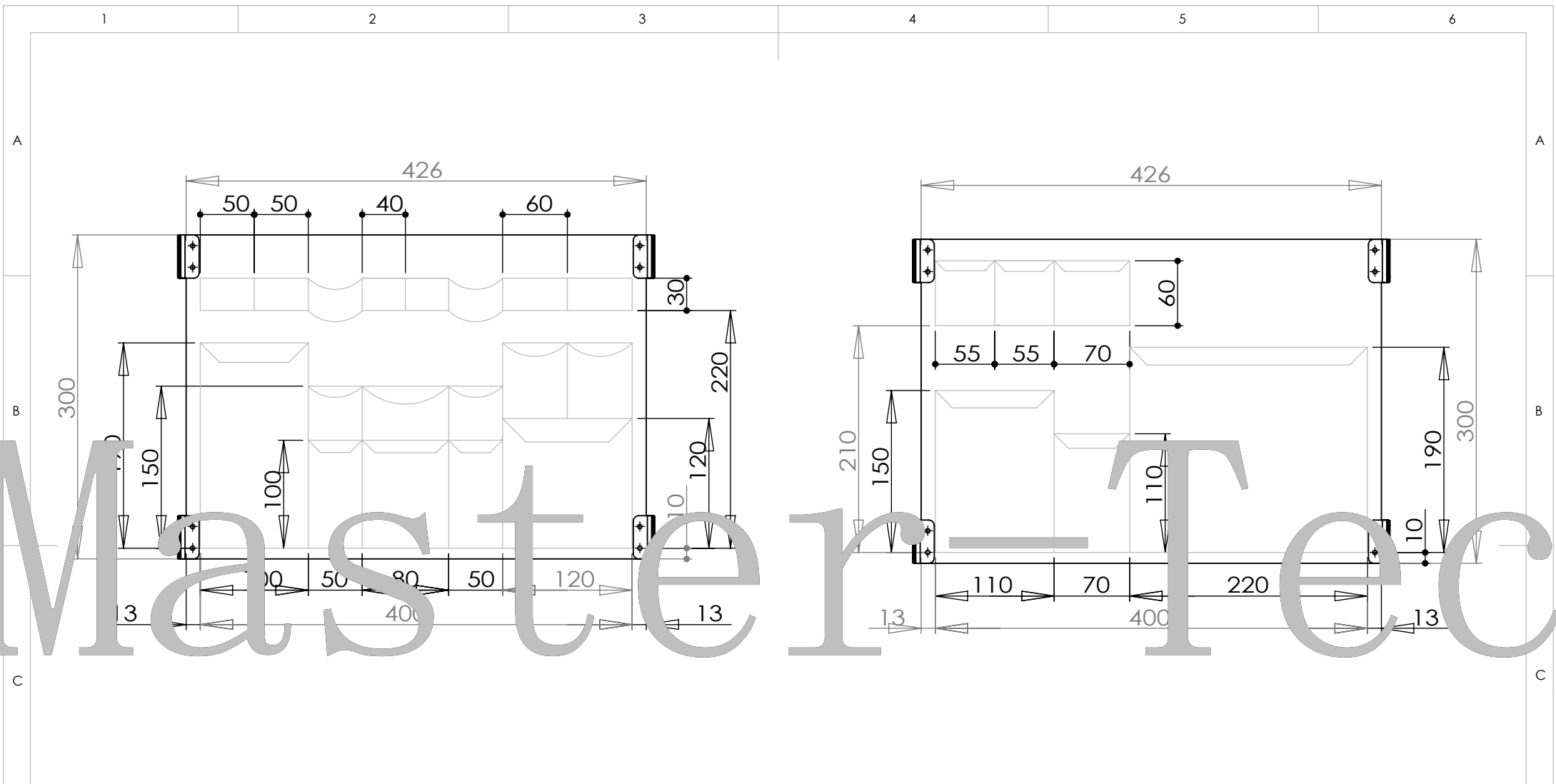
TITLE:  
 Tool arrangement for panels

DWG NO.  
**RTC-01-460-panel** A4

WEIGHT:

SCALE:1:1

SHEET 1 OF 1



UNLESS OTHERWISE SPECIFIED:  
 DIMENSIONS ARE IN MILLIMETERS  
 SURFACE FINISH:  
 TOLERANCES:  
 LINEAR:  
 ANGULAR:

FINISH:

DEBUR AND  
 BREAK SHARP  
 EDGES

DO NOT SCALE DRAWING

REVISION

Beijing Master-Tec Co. Ltd.

	NAME	SIGNATURE	DATE		
DRAWN					
CHK'D					
APPV'D					
MFG					
Q.A					

TITLE:

Tool arrangement for pallet

DWG. NO. **RTC-01-460-pallet** A4

WEIGHT:

SCALE:1:1

SHEET 1 OF 1