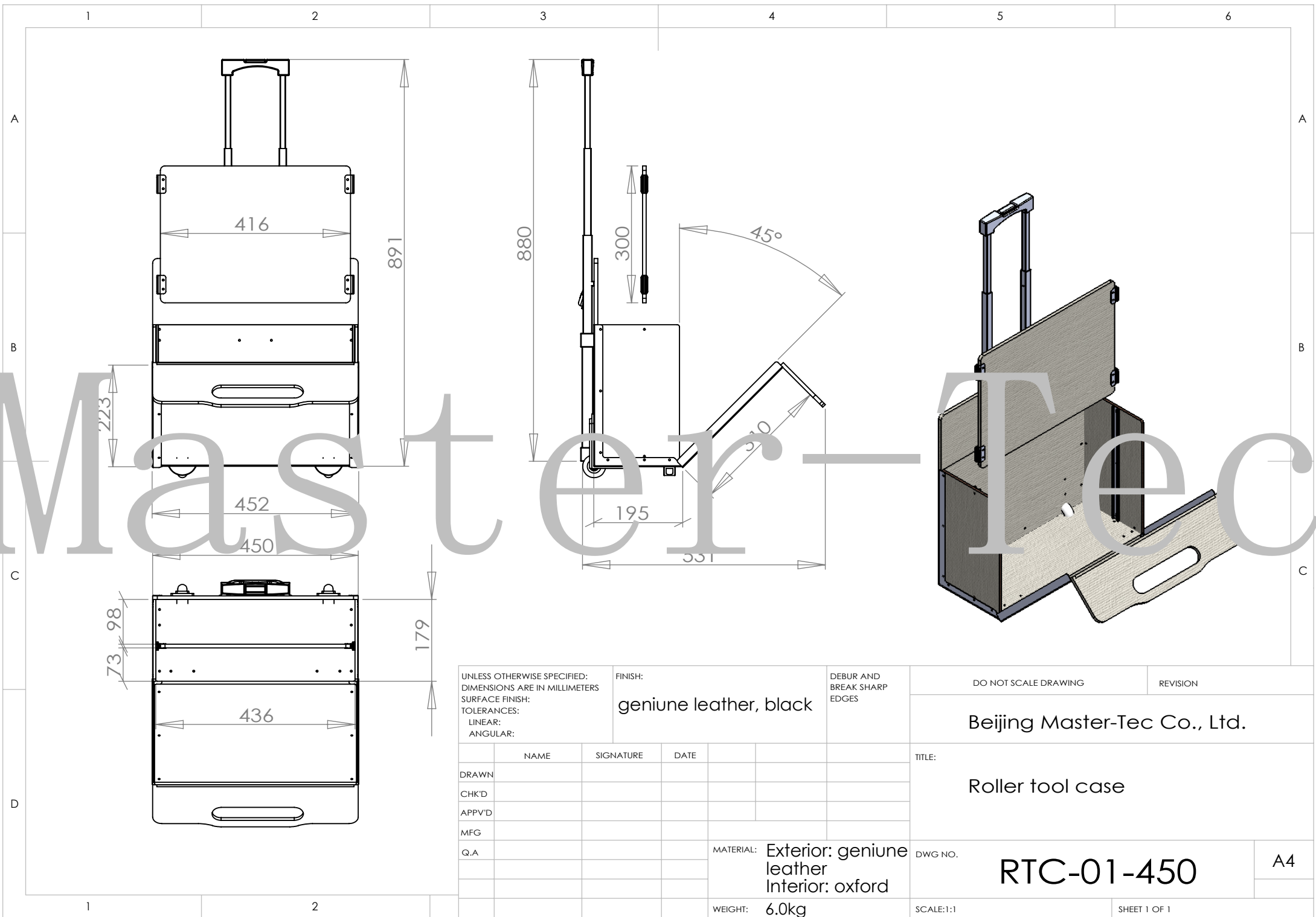


UNLESS OTHERWISE SPECIFIED: DIMENSIONS ARE IN MILLIMETERS SURFACE FINISH: TOLERANCES: LINEAR: ANGULAR:		FINISH: geniune leather, black		DEBUR AND BREAK SHARP EDGES	
DRAWN		SIGNATURE		DATE	
CHK'D					
APPV'D					
MFG					
Q.A					
		MATERIAL: Exterior: geniune leather Interior: oxford		WEIGHT: 6.0kg	

DO NOT SCALE DRAWING		REVISION	
Beijing Master-Tec Co., Ltd.			
TITLE: Roller tool case			
DWG NO.		A4	
RTC-01-450			
SCALE:1:1		SHEET 1 OF 1	



UNLESS OTHERWISE SPECIFIED:
 DIMENSIONS ARE IN MILLIMETERS
 SURFACE FINISH:
 TOLERANCES:
 LINEAR:
 ANGULAR:

FINISH:
 genuine leather, black

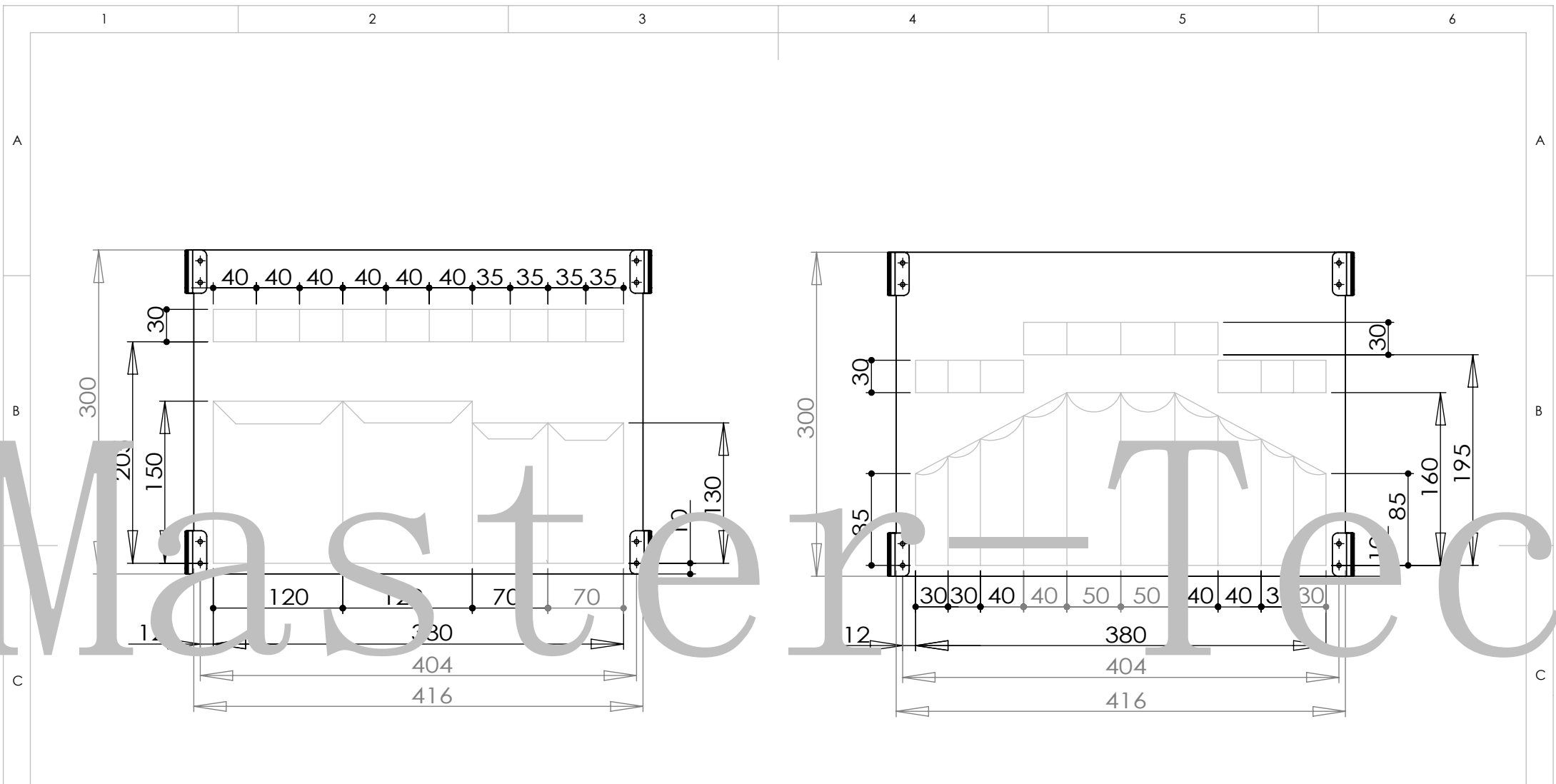
DEBUR AND
 BREAK SHARP
 EDGES

DO NOT SCALE DRAWING REVISION

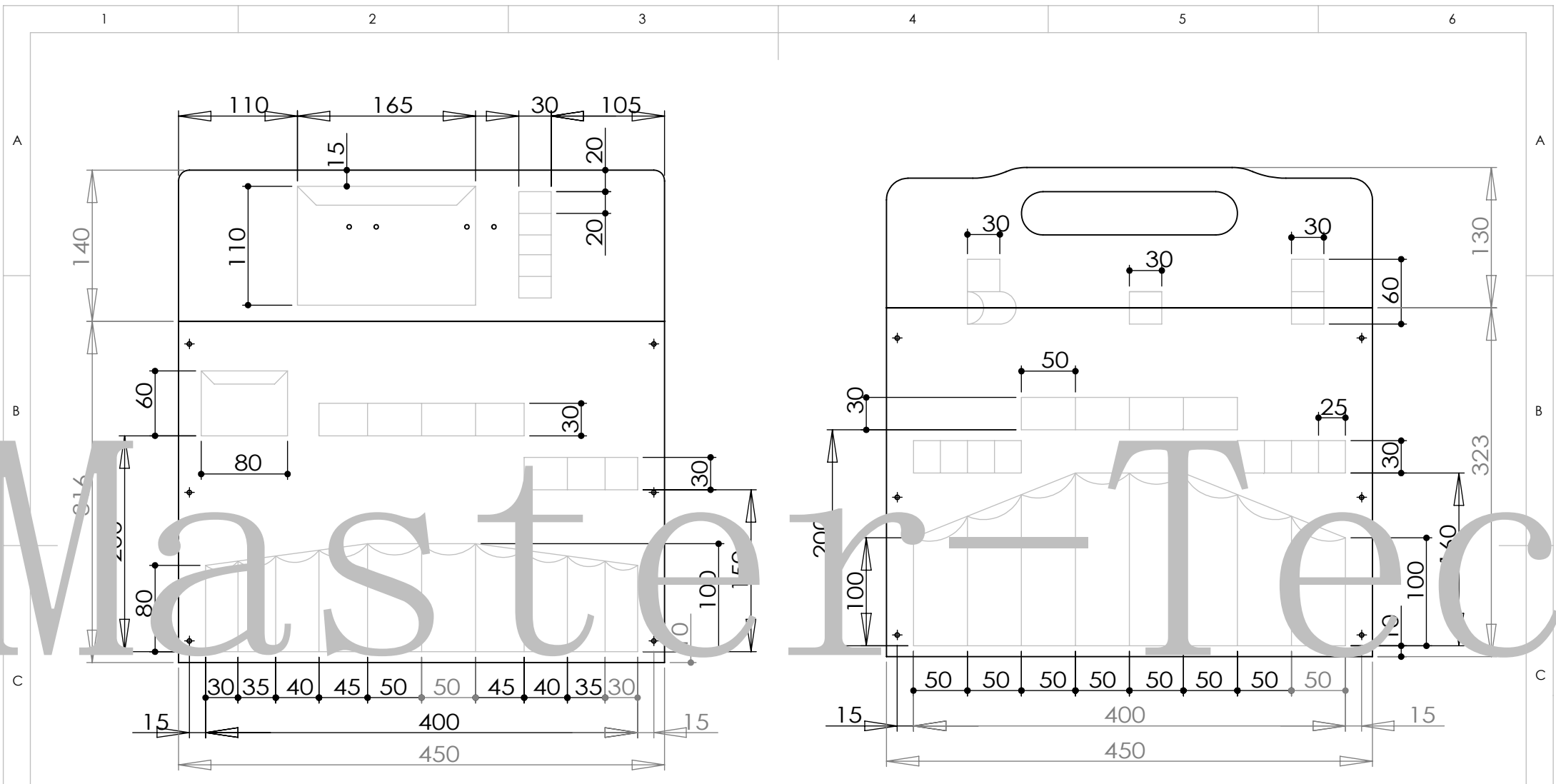
Beijing Master-Tec Co., Ltd.

	NAME	SIGNATURE	DATE		
DRAWN					
CHK'D					
APPV'D					
MFG					
Q.A					
				MATERIAL: Exterior: genuine leather Interior: oxford	
				WEIGHT: 6.0kg	

TITLE:	Roller tool case
DWG NO.	RTC-01-450
SCALE: 1:1	SHEET 1 OF 1
	A4



UNLESS OTHERWISE SPECIFIED: DIMENSIONS ARE IN MILLIMETERS SURFACE FINISH: TOLERANCES: LINEAR: ANGULAR:		FINISH:		DEBUR AND BREAK SHARP EDGES		DO NOT SCALE DRAWING		REVISION	
DRAWN		SIGNATURE		DATE		TITLE:		Beijing Master-TecCo.,Ltd.	
CHK'D						Tool arrangement for pallet			
APPV'D						DWG NO.		A4	
MFG						RTC-01-450-pallet			
Q.A				MATERIAL:		SCALE:1:1		SHEET 1 OF 1	
				WEIGHT:					



UNLESS OTHERWISE SPECIFIED:
 DIMENSIONS ARE IN MILLIMETERS
 SURFACE FINISH:
 TOLERANCES:
 LINEAR:
 ANGULAR:

FINISH:

DEBUR AND
 BREAK SHARP
 EDGES

DO NOT SCALE DRAWING

REVISION

Beijing Master-TecCo.,Ltd.

	NAME	SIGNATURE	DATE		
DRAWN					
CHK'D					
APPV'D					
MFG					
Q.A					

TITLE:

Tool arrangement for panel

DWG NO. **RTC-01-450-panel** A4