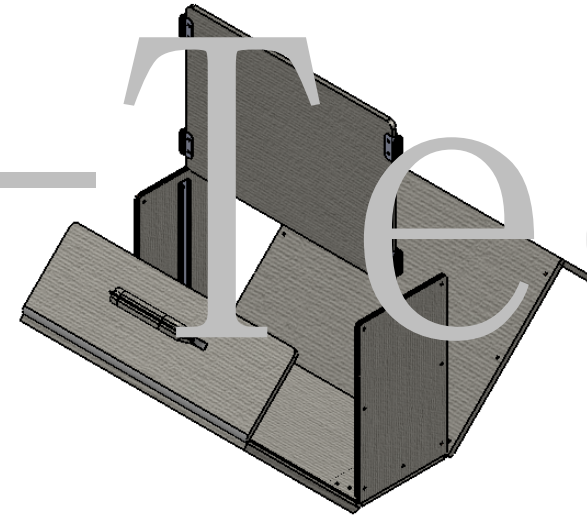
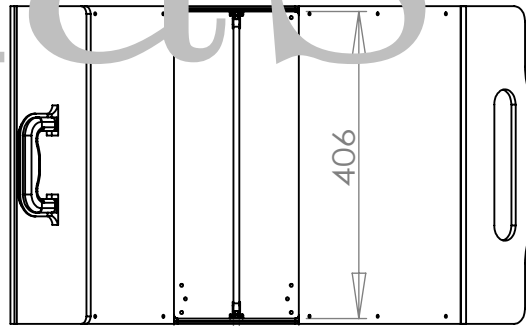
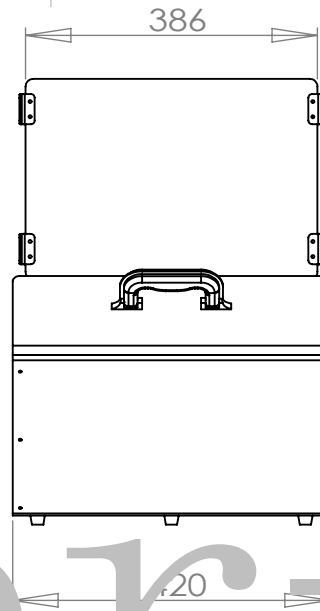
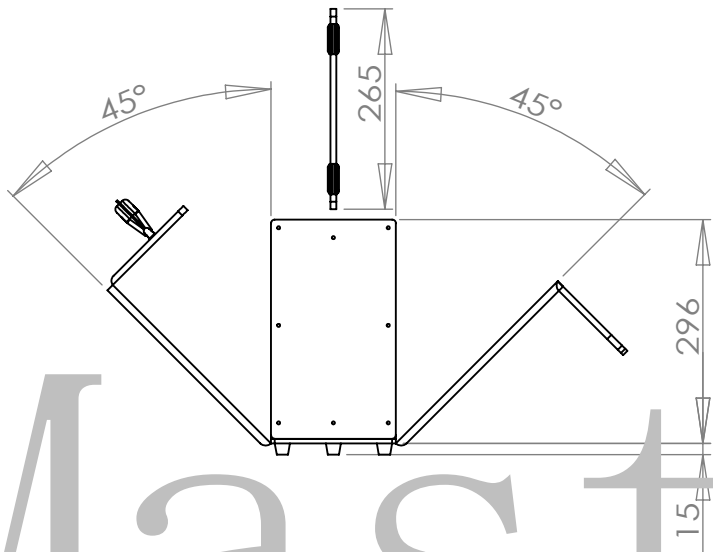


Master-Tec

UNLESS OTHERWISE SPECIFIED: DIMENSIONS ARE IN MILLIMETERS SURFACE FINISH: TOLERANCES: LINEAR: ANGULAR:		FINISH: genuine leather, black		DEBUR AND BREAK SHARP EDGES	
DRAWN		SIGNATURE	DATE		
CHK'D					
APPV'D					
MFG					
Q.A					
				MATERIAL: Exterior: leather Interior: oxford	
				WEIGHT: 5.0kg	

DO NOT SCALE DRAWING		REVISION	
BEIJING MASTER-TEC CO., LTD.			
TITLE: Shoulder tool case			
DWG NO.		A4	
STC-01-420			
SCALE:1:5		SHEET 1 OF 1	



UNLESS OTHERWISE SPECIFIED:
DIMENSIONS ARE IN MILLIMETERS
SURFACE FINISH:
TOLERANCES:
LINEAR:
ANGULAR:

FINISH:
genuine leather,
black

DEBUR AND
BREAK SHARP
EDGES

DO NOT SCALE DRAWING

REVISION

BEIJING MASTER-TEC CO., LTD.

	NAME	SIGNATURE	DATE		
DRAWN					
CHK'D					
APPV'D					
MFG					
Q.A					

TITLE:

Shoulder tool case

MATERIAL:
Exterior: leather
Interior: oxford

DWG NO.

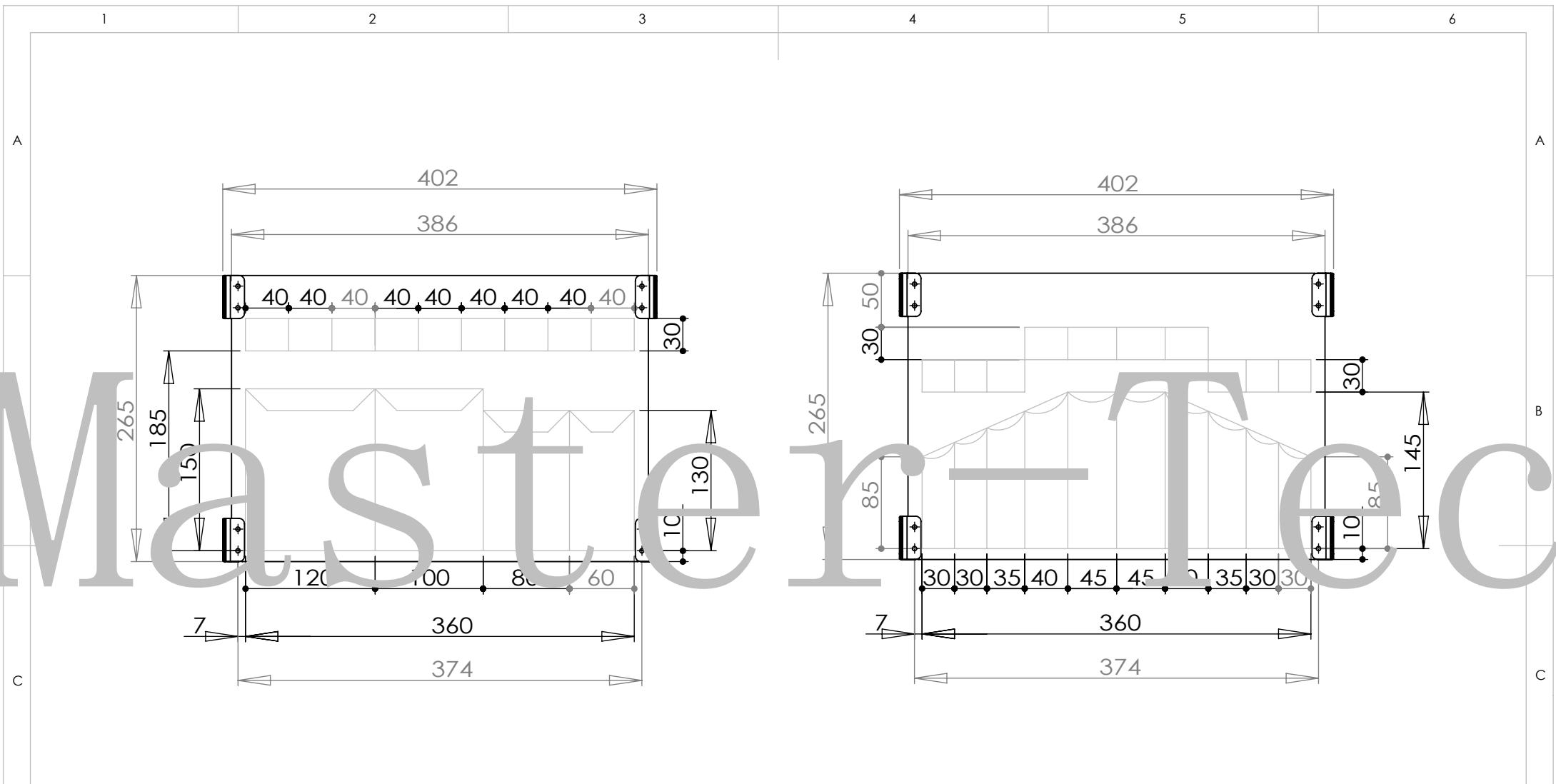
STC-01-420

A4

WEIGHT: 5.0kg

SCALE:1:10

SHEET 1 OF 1



UNLESS OTHERWISE SPECIFIED: DIMENSIONS ARE IN MILLIMETERS SURFACE FINISH: TOLERANCES: LINEAR: ANGULAR:				FINISH:		DEBUR AND BREAK SHARP EDGES		DO NOT SCALE DRAWING		REVISION	
								Beijing Master-Tec Co., Ltd.			
								TITLE: Tool arrangement for pallet			
								DWG. NO.		A4	
								SCALE:1:1		SHEET 1 OF 1	

	NAME	SIGNATURE	DATE		
DRAWN					
CHK'D					
APPV'D					
MFG					
Q.A					
				MATERIAL:	
				WEIGHT:	

STC-01-420-pallet