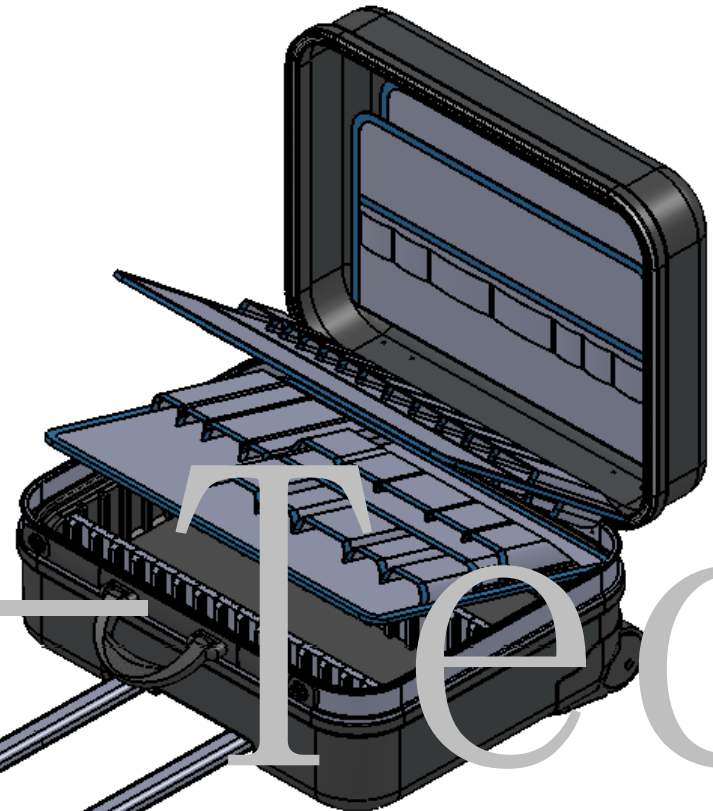
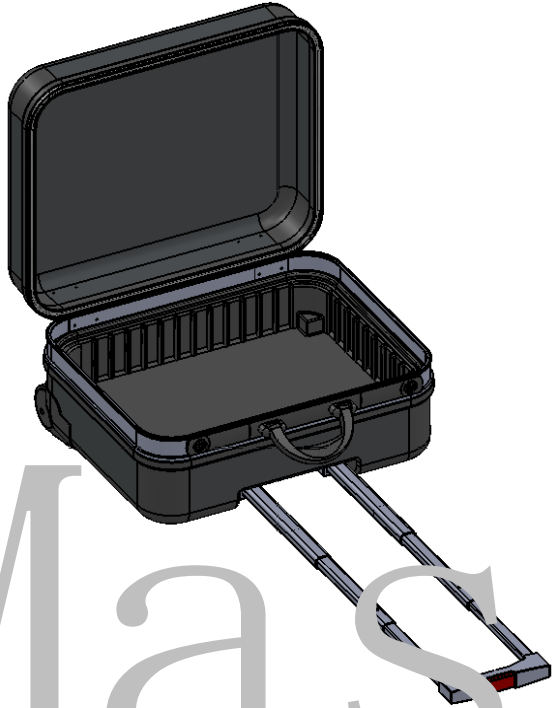


1 2 3 4 5 6

A

A

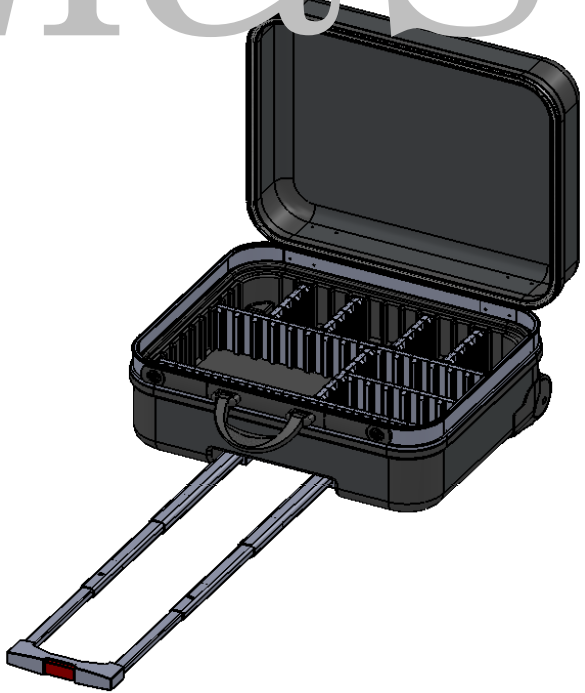


B

Master-Tec

C

C



D

UNLESS OTHERWISE SPECIFIED:  
 DIMENSIONS ARE IN MILLIMETERS  
 SURFACE FINISH:  
 TOLERANCES:  
 LINEAR:  
 ANGULAR:  
 FINISH:  
 DEBUR AND  
 BREAK SHARP  
 EDGES

DO NOT SCALE DRAWING REVISION

北京马斯泰科贸有限公司  
 Beijing Master-Tec Co., Ltd.

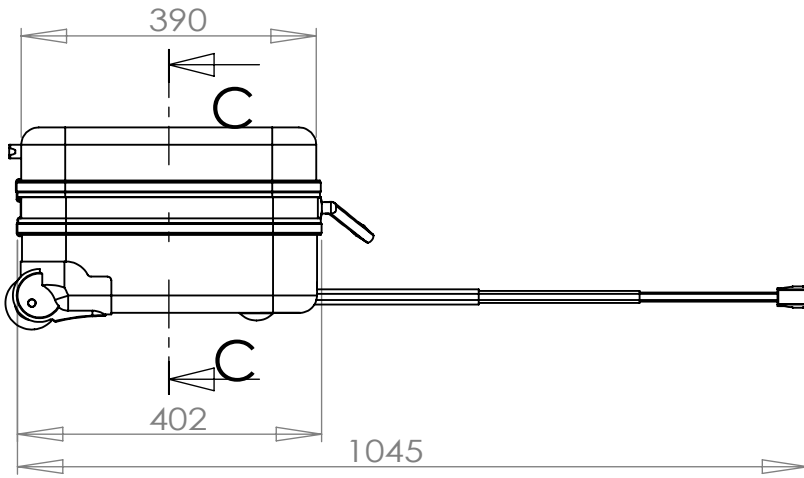
	NAME	SIGNATURE	DATE		
DRAWN					
CHK'D					
APPV'D					
MFG					
Q.A					

TITLE:  
 拉杆工具箱/Roller tool case

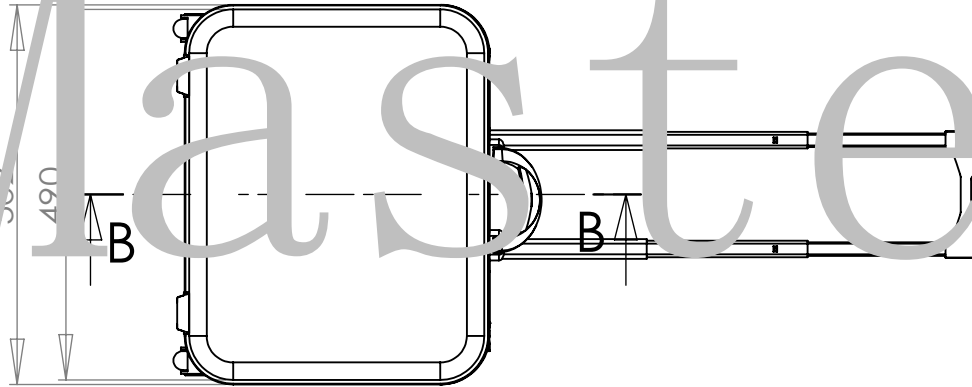
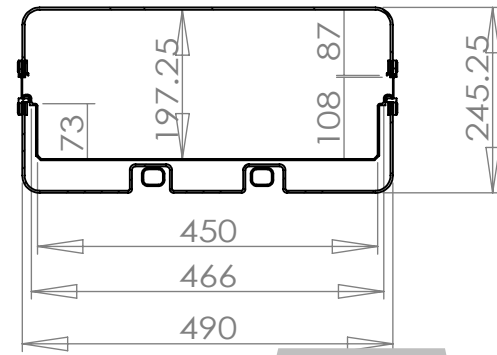
DWG NO. RTC-02-485 A4

1 2 3 4 5 6

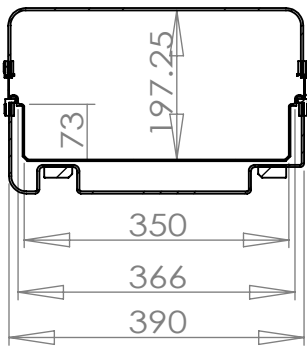
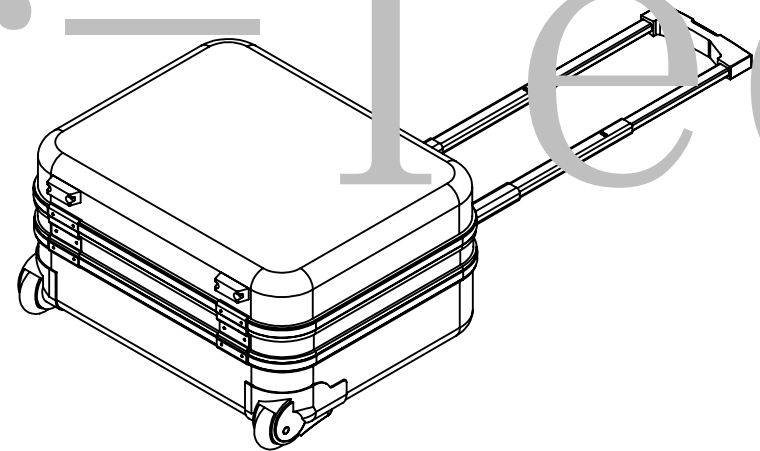
WEIGHT: SCALE:1:1 SHEET 1 OF 1



剖面 C-C  
比例 1:10



剖面 B-B  
比例 1:10



UNLESS OTHERWISE SPECIFIED:  
DIMENSIONS ARE IN MILLIMETERS  
SURFACE FINISH:  
TOLERANCES:  
LINEAR:  
ANGULAR:

FINISH:

DEBUR AND  
BREAK SHARP  
EDGES

DO NOT SCALE DRAWING

REVISION

北京马斯泰科贸有限公司  
Beijing Master-Tec Co., Ltd.

	NAME	SIGNATURE	DATE		
DRAWN					
CHK'D					
APPV'D					
MFG					
Q.A				MATERIAL:	
				WEIGHT:	

TITLE:

拉杆工具箱/Roller tool case

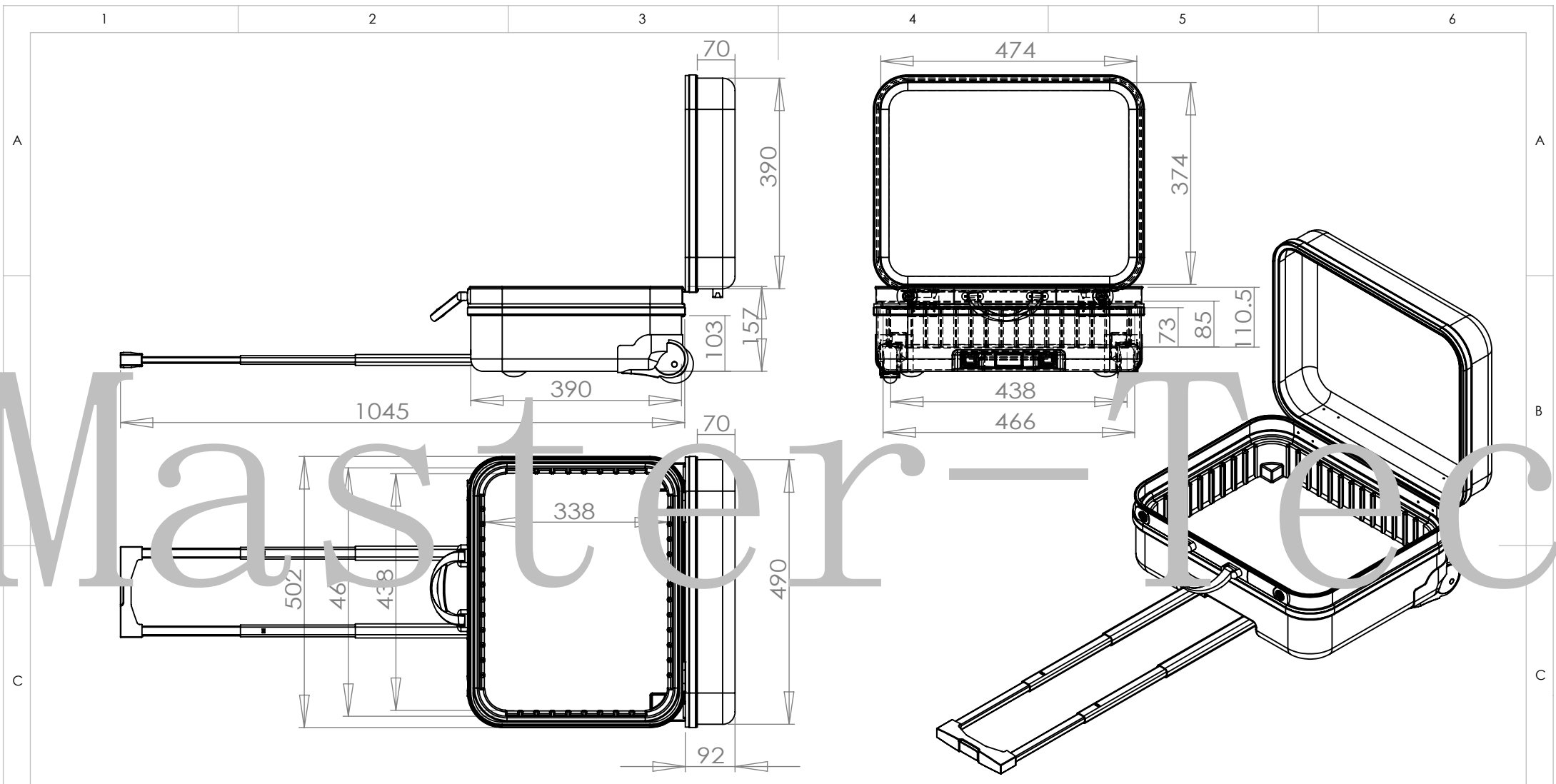
DWG NO.

RTC-02-485

A4

SCALE:1:1

SHEET 1 OF 1



UNLESS OTHERWISE SPECIFIED:  
 DIMENSIONS ARE IN MILLIMETERS  
 SURFACE FINISH:  
 TOLERANCES:  
 LINEAR:  
 ANGULAR:

FINISH:

DEBUR AND  
 BREAK SHARP  
 EDGES

DO NOT SCALE DRAWING

REVISION

**北京马斯泰科贸有限公司**  
**Beijing Master-Tec Co., Ltd.**

	NAME	SIGNATURE	DATE		
DRAWN					
CHK'D					
APPV'D					
MFG					
Q.A					

TITLE:

**拉杆工具箱/Roller tool case**

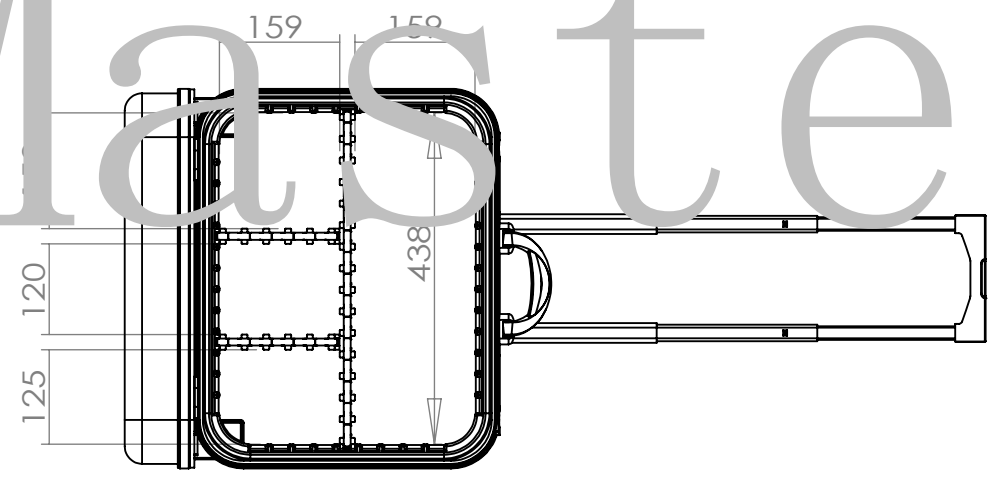
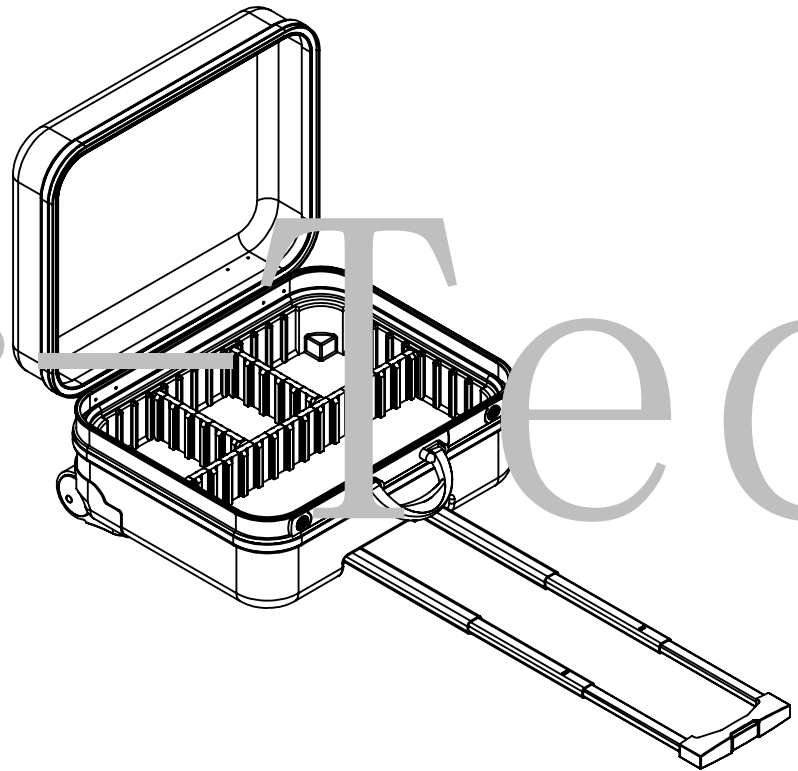
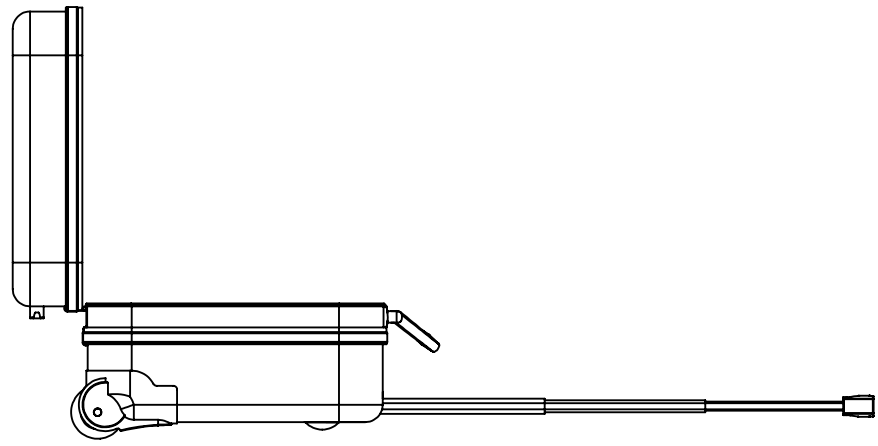
WEIGHT:

DWG NO. **RTC-02-485**

A4

SCALE:1:1

SHEET 1 OF 1



UNLESS OTHERWISE SPECIFIED:  
 DIMENSIONS ARE IN MILLIMETERS  
 SURFACE FINISH:  
 TOLERANCES:  
 LINEAR:  
 ANGULAR:

FINISH:

DEBUR AND  
 BREAK SHARP  
 EDGES

DO NOT SCALE DRAWING

REVISION

**北京马斯泰科贸有限公司**  
**Beijing Master-Tec Co., Ltd.**

	NAME	SIGNATURE	DATE		
DRAWN					
CHK'D					
APPV'D					
MFG					
Q.A					

TITLE:

**拉杆工具箱底部分隔示意图**  
**Bottom division of roller tool case**

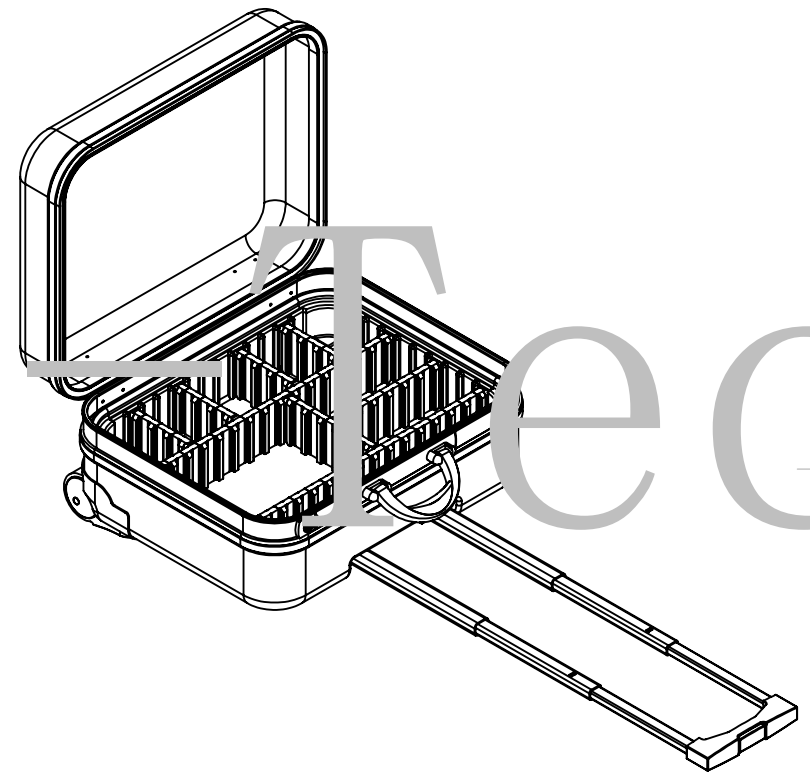
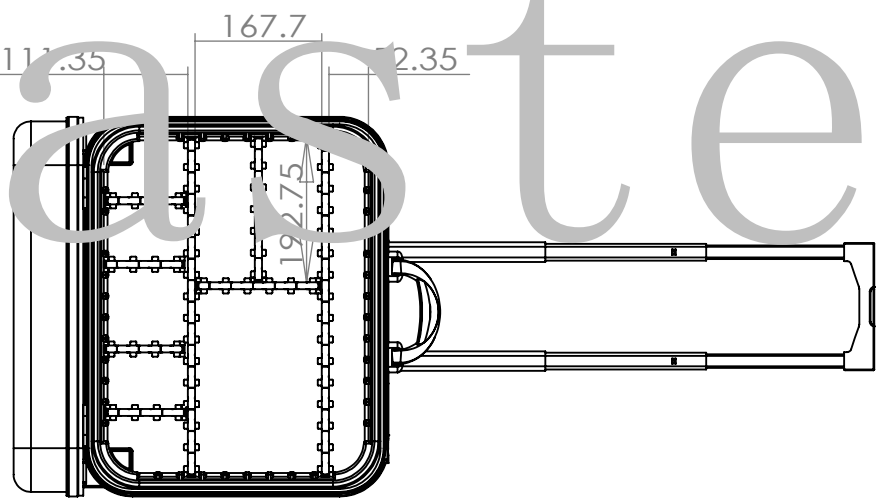
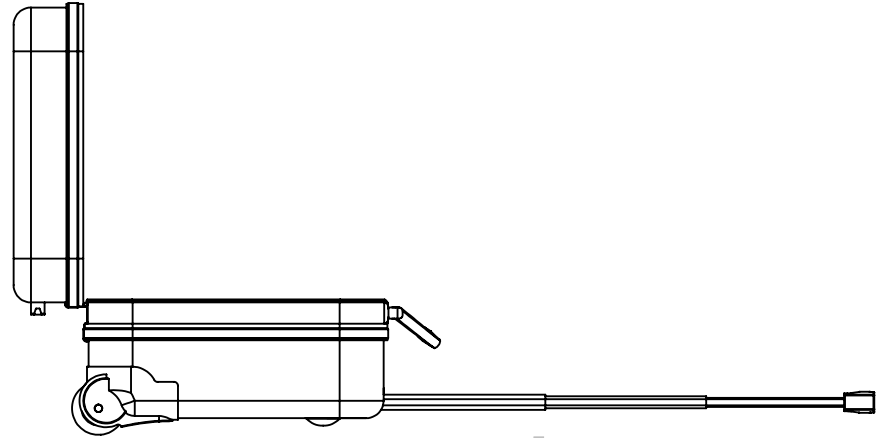
DWG NO. **RTC-02-485\_w\_divider\_02**

A4

WEIGHT:

SCALE:1:1

SHEET 1 OF 1



UNLESS OTHERWISE SPECIFIED:  
 DIMENSIONS ARE IN MILLIMETERS  
 SURFACE FINISH:  
 TOLERANCES:  
 LINEAR:  
 ANGULAR:

FINISH:

DEBUR AND  
 BREAK SHARP  
 EDGES

DO NOT SCALE DRAWING

REVISION

**北京马斯泰科贸有限公司**  
**Beijing Master-Tec Co., Ltd.**

	NAME	SIGNATURE	DATE		
DRAWN					
CHK'D					
APPV'D					
MFG					
Q.A					

TITLE:

**拉杆工具箱底部分隔示意图**  
**Bottom division for roller tool case**

DWG NO.  
**RTC-02-485\_divider\_03**

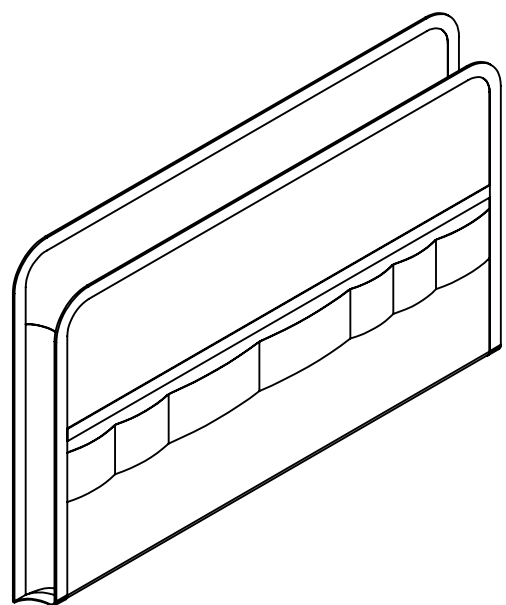
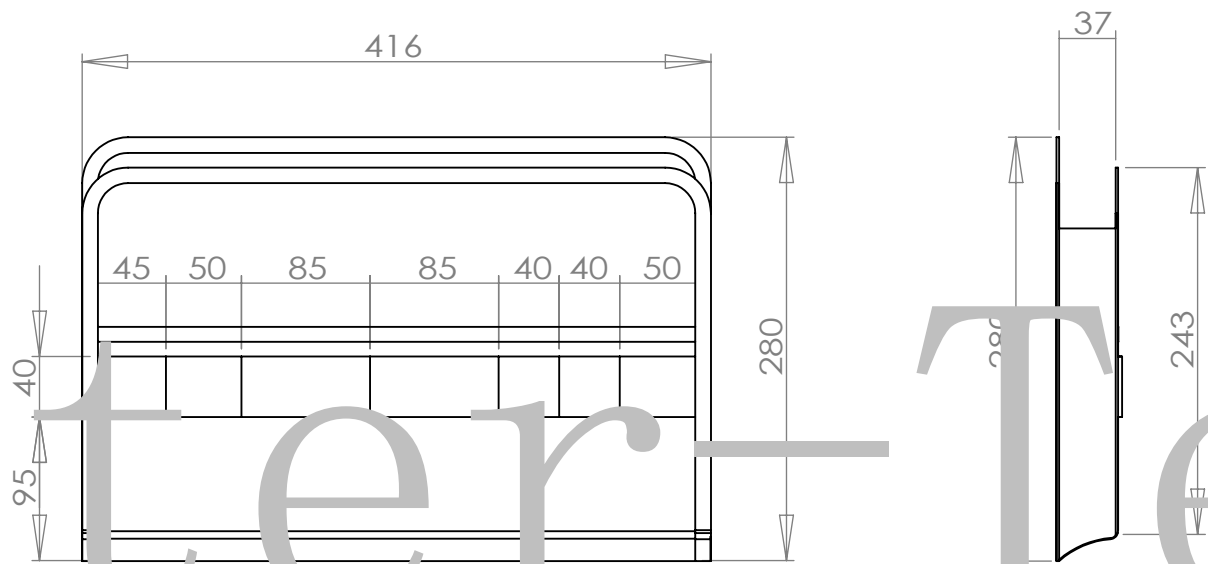
A4

WEIGHT:

SCALE:1:1

SHEET 1 OF 1

# Master-Tec



UNLESS OTHERWISE SPECIFIED:  
 DIMENSIONS ARE IN MILLIMETERS  
 SURFACE FINISH:  
 TOLERANCES:  
 LINEAR:  
 ANGULAR:

FINISH:

DEBUR AND  
 BREAK SHARP  
 EDGES

DO NOT SCALE DRAWING

REVISION

**北京马斯泰科贸有限公司**  
**Beijing Master-Tec Co., Ltd.**

	NAME	SIGNATURE	DATE		
DRAWN					
CHK'D					
APPV'D					
MFG					
Q.A				MATERIAL:	

TITLE:

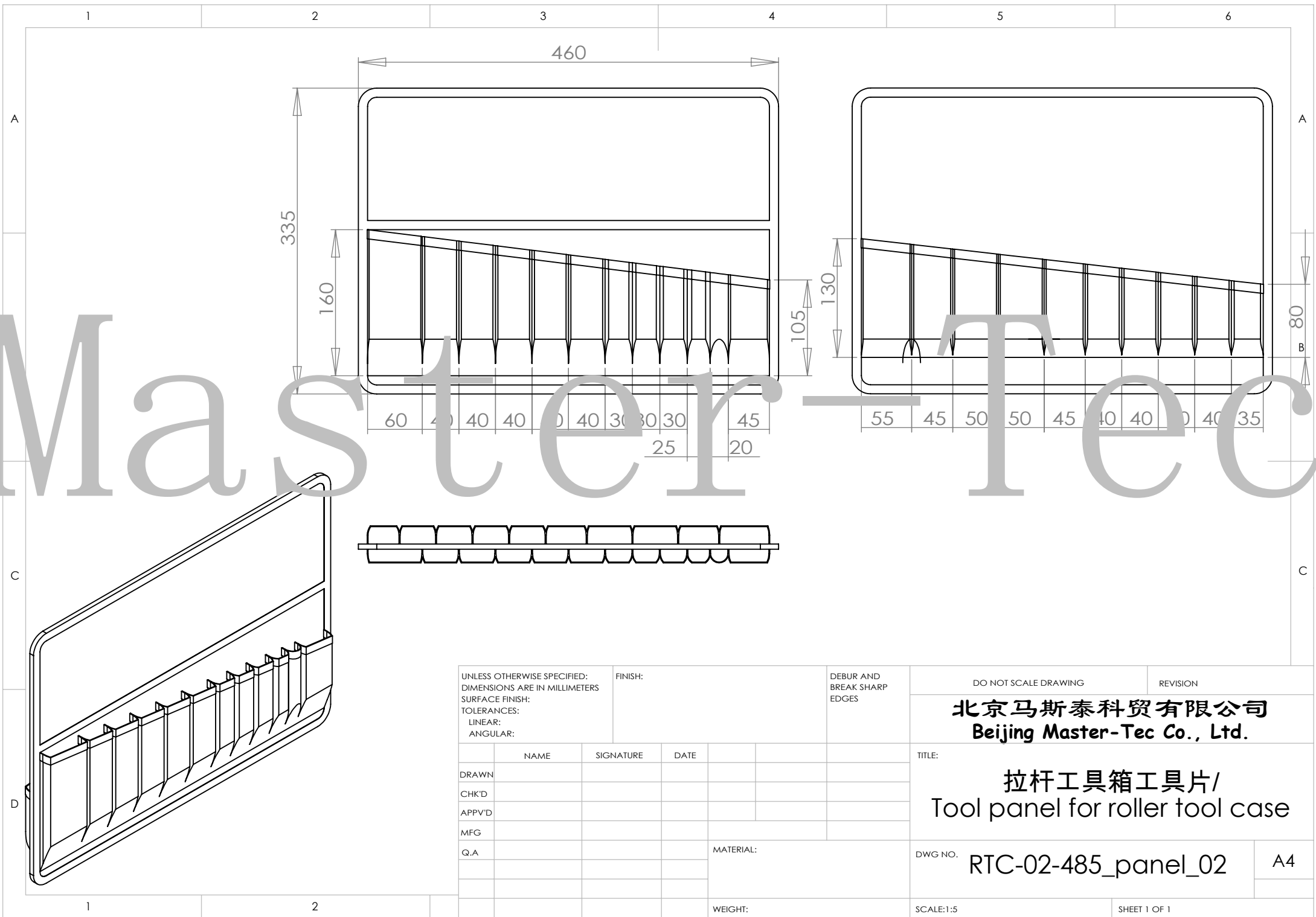
**拉杆工具箱工具片 /**  
**Tool panel for Roller tool case**

DWG NO. **RTC-02-485\_panel\_01** A4

WEIGHT:

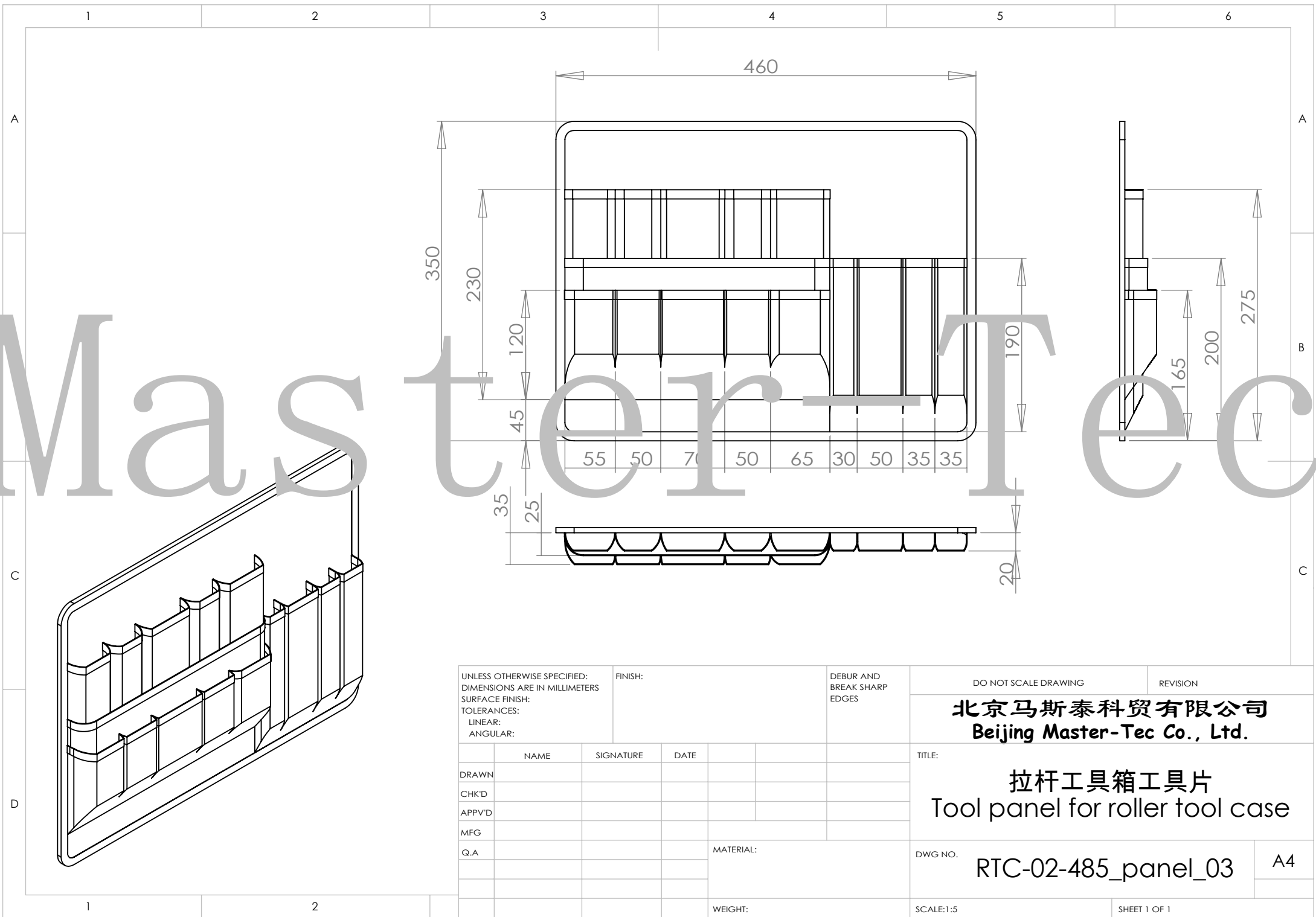
SCALE:1:1

SHEET 1 OF 1



UNLESS OTHERWISE SPECIFIED: DIMENSIONS ARE IN MILLIMETERS SURFACE FINISH: TOLERANCES: LINEAR: ANGULAR:			FINISH:			DEBUR AND BREAK SHARP EDGES		
DRAWN	NAME	SIGNATURE	DATE					
CHK'D								
APPV'D								
MFG								
Q.A						MATERIAL:		
						WEIGHT:		

DO NOT SCALE DRAWING		REVISION	
<b>北京马斯泰科贸有限公司</b> <b>Beijing Master-Tec Co., Ltd.</b>			
TITLE:			
<b>拉杆工具箱工具片/</b> <b>Tool panel for roller tool case</b>			
DWG NO.		A4	
RTC-02-485_panel_02			
SCALE:1:5		SHEET 1 OF 1	



UNLESS OTHERWISE SPECIFIED:  
 DIMENSIONS ARE IN MILLIMETERS  
 SURFACE FINISH:  
 TOLERANCES:  
 LINEAR:  
 ANGULAR:

FINISH:

DEBUR AND  
 BREAK SHARP  
 EDGES

DO NOT SCALE DRAWING

REVISION

**北京马斯泰科贸有限公司**  
**Beijing Master-Tec Co., Ltd.**

	NAME	SIGNATURE	DATE		
DRAWN					
CHK'D					
APPV'D					
MFG					
Q.A				MATERIAL:	
				WEIGHT:	

TITLE:  
**拉杆工具箱工具片**  
**Tool panel for roller tool case**

DWG NO. **RTC-02-485\_panel\_03**

SCALE:1:5

SHEET 1 OF 1

A4