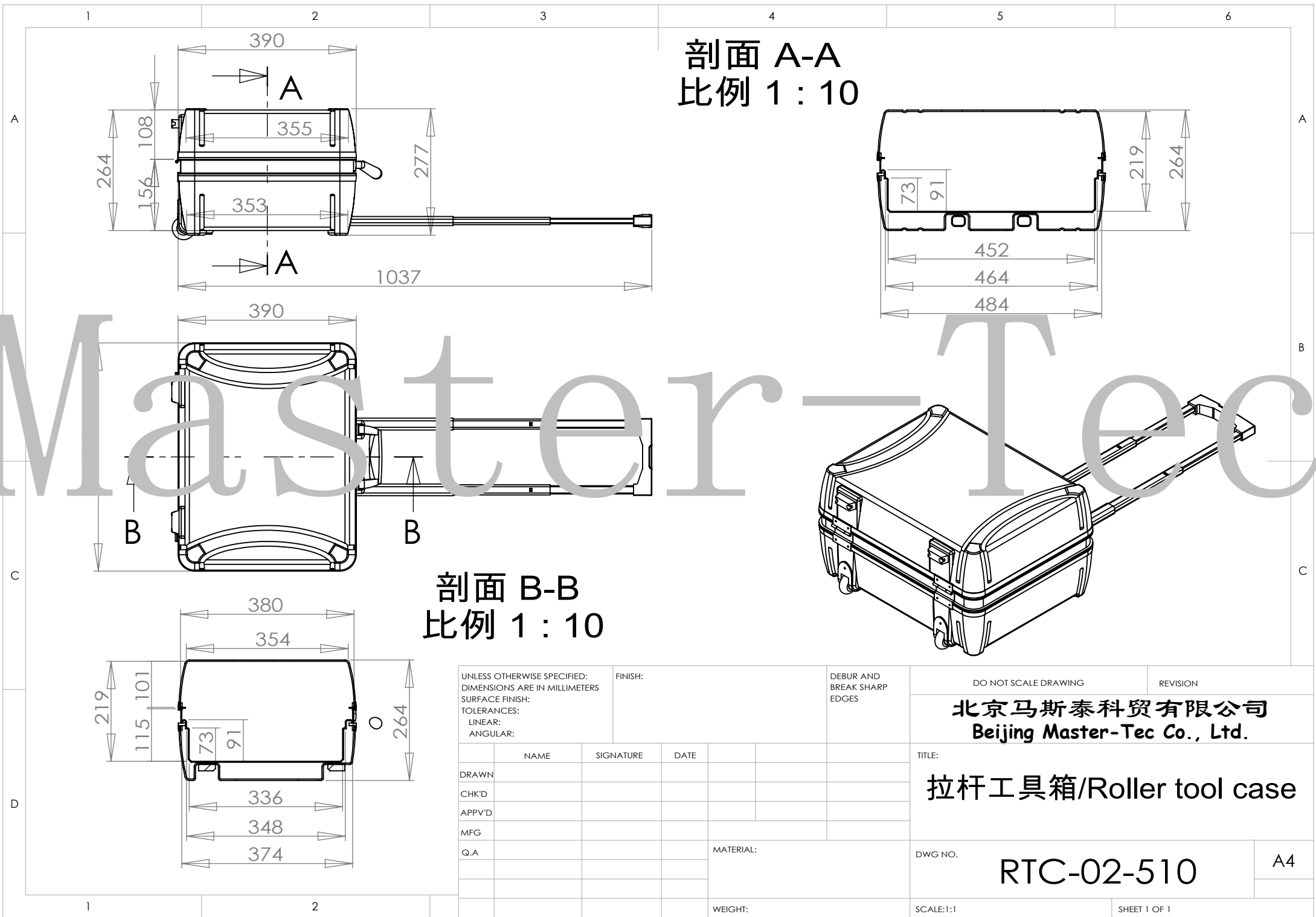


UNLESS OTHERWISE SPECIFIED: DIMENSIONS ARE IN MILLIMETERS SURFACE FINISH: TOLERANCES: LINEAR: ANGULAR:		FINISH:	DEBUR AND BREAK SHARP EDGES	
	NAME	SIGNATURE	DATE	
DRAWN				
CHK'D				
APPV'D				
MFG				
Q.A				MATERIAL:
				WEIGHT:

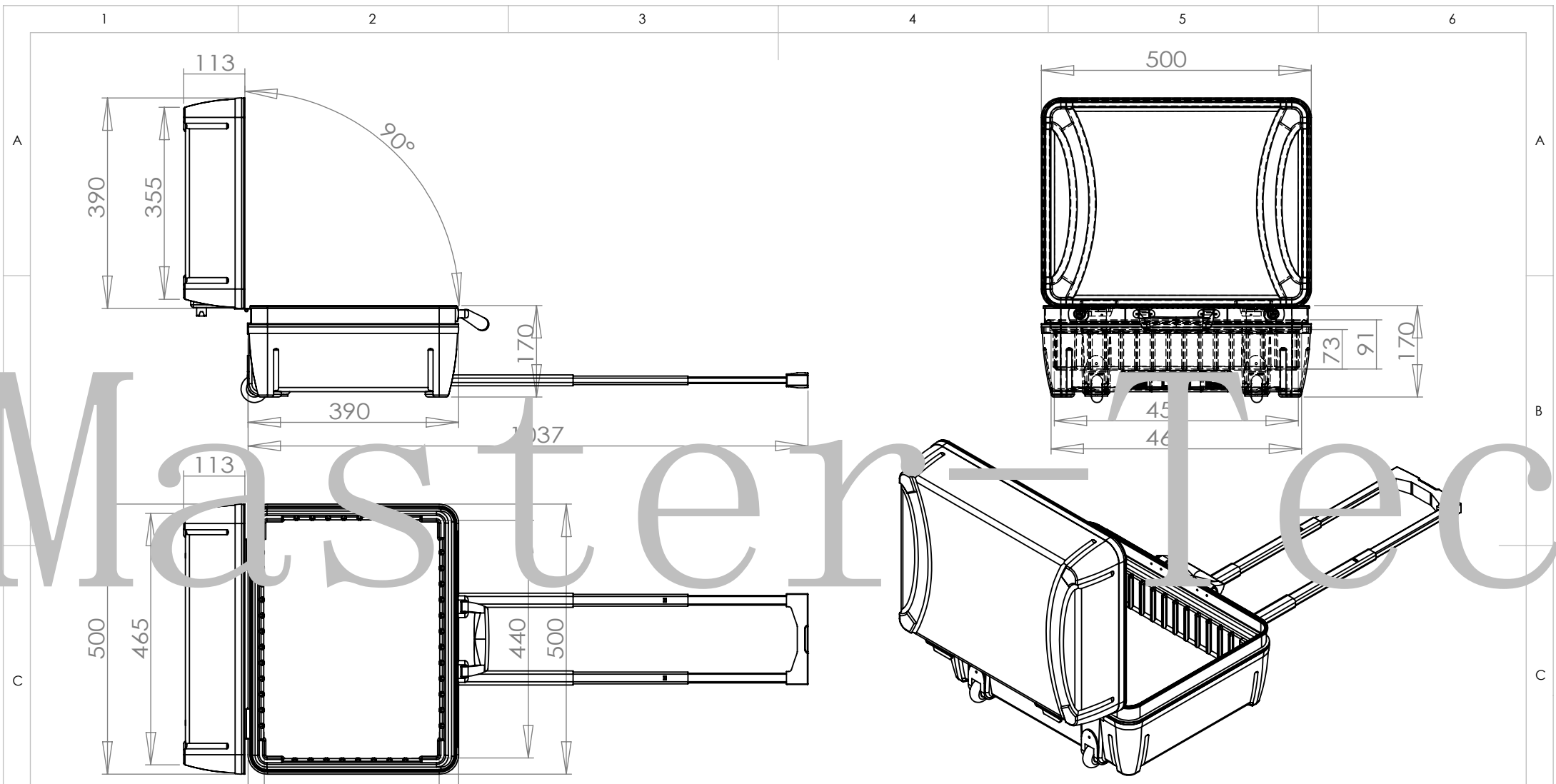
DO NOT SCALE DRAWING		REVISION
北京马斯泰科贸有限公司 Beijing Master-Tec Co., Ltd.		
TITLE:		
拉杆工具箱/Roller tool case		
DWG NO.	RTC-02-510	A4
SCALE:1:1	SHEET 1 OF 1	



剖面 A-A
比例 1:10

剖面 B-B
比例 1:10

UNLESS OTHERWISE SPECIFIED: DIMENSIONS ARE IN MILLIMETERS SURFACE FINISH: TOLERANCES: LINEAR: ANGULAR:				FINISH:		DEBUR AND BREAK SHARP EDGES		DO NOT SCALE DRAWING		REVISION			
								北京马斯泰科贸有限公司 Beijing Master-Tec Co., Ltd.					
								TITLE: 拉杆工具箱/Roller tool case					
								DWG NO.		RTC-02-510		A4	
								WEIGHT:		SCALE:1:1		SHEET 1 OF 1	



UNLESS OTHERWISE SPECIFIED:
 DIMENSIONS ARE IN MILLIMETERS
 SURFACE FINISH:
 TOLERANCES:
 LINEAR:
 ANGULAR:

FINISH:

DEBUR AND
 BREAK SHARP
 EDGES

DO NOT SCALE DRAWING

REVISION

北京马斯泰科贸有限公司
Beijing Master-Tec Co., Ltd.

	NAME	SIGNATURE	DATE		
DRAWN					
CHK'D					
APPV'D					
MFG					
Q.A					

TITLE:

拉杆工具箱/Roller tool case

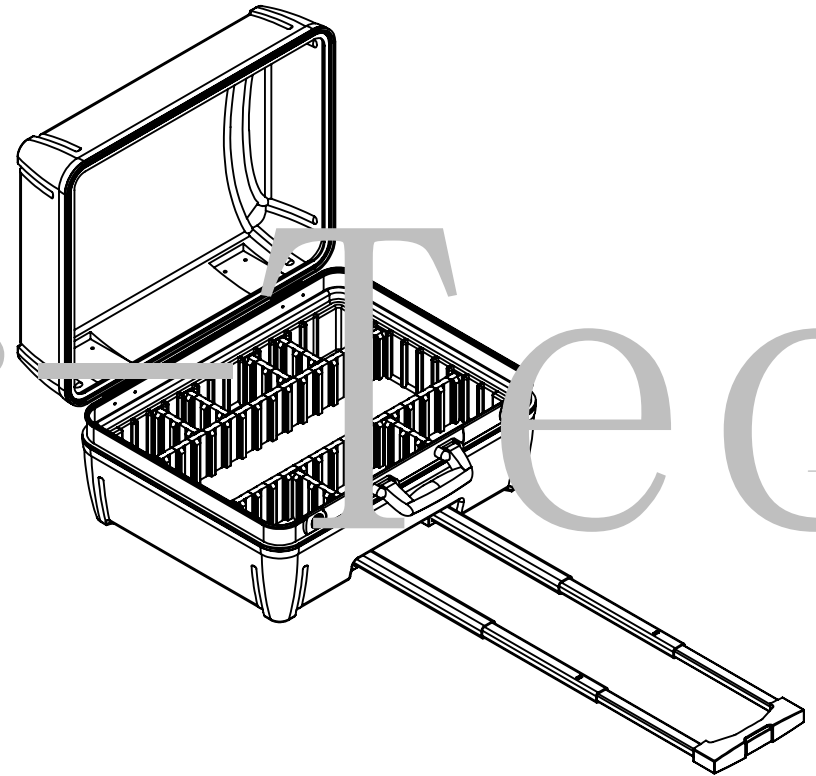
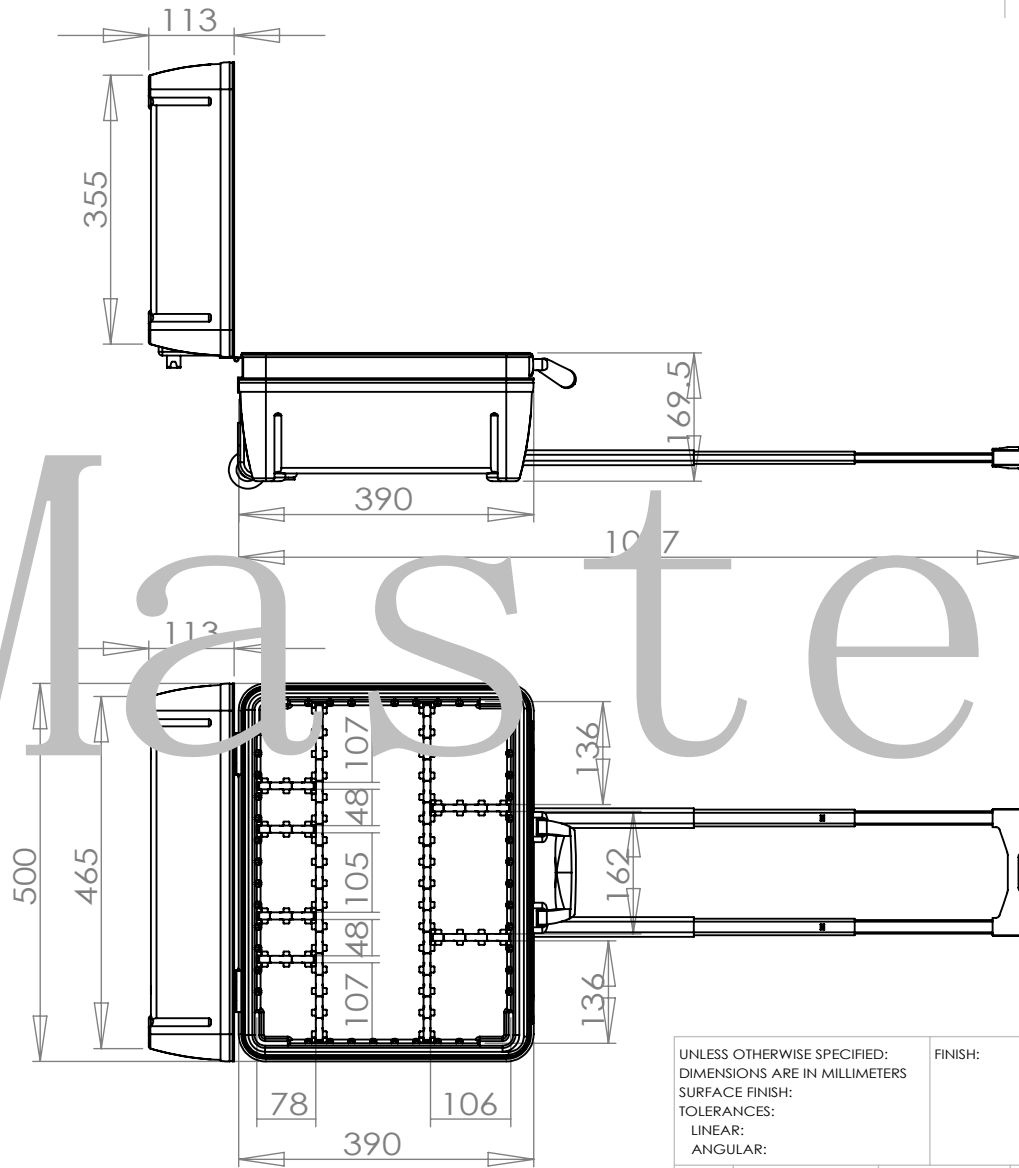
DWG NO. **RTC-02-510**

A4

WEIGHT:

SCALE:1:1

SHEET 1 OF 1



UNLESS OTHERWISE SPECIFIED:
 DIMENSIONS ARE IN MILLIMETERS
 SURFACE FINISH:
 TOLERANCES:
 LINEAR:
 ANGULAR:

FINISH:

DEBUR AND
 BREAK SHARP
 EDGES

	NAME	SIGNATURE	DATE		
DRAWN					
CHK'D					
APPV'D					
MFG					
Q.A				MATERIAL:	

DO NOT SCALE DRAWING		REVISION
北京马斯泰科贸有限公司 Beijing Master-Tec Co., Ltd.		
TITLE:		
拉杆工具箱底部分隔示意图 Bottom division for roller tool case		
DWG NO.	RTC-02-510_divider_01	A4

WEIGHT:

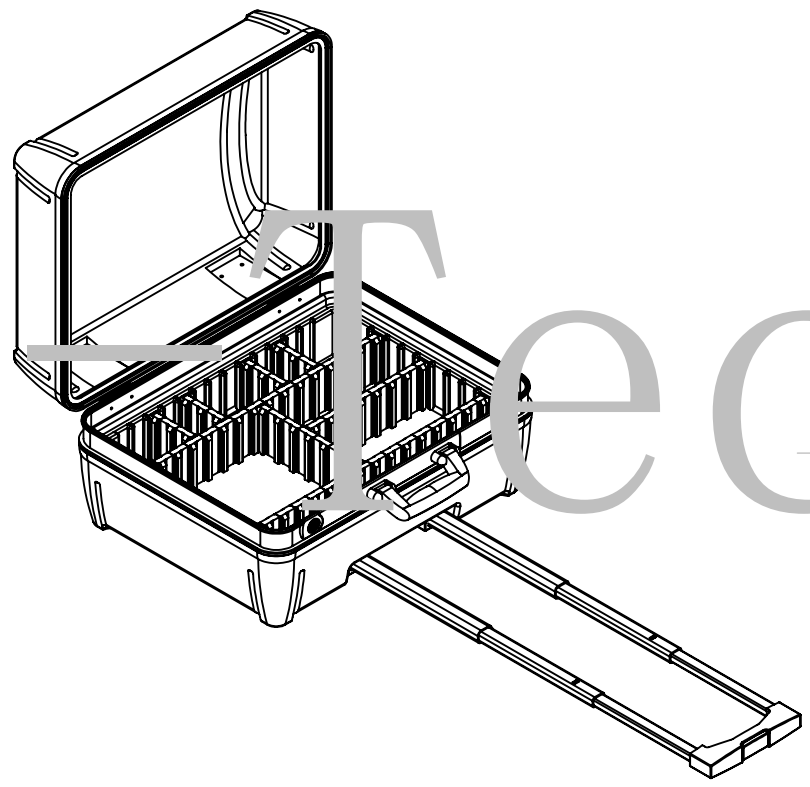
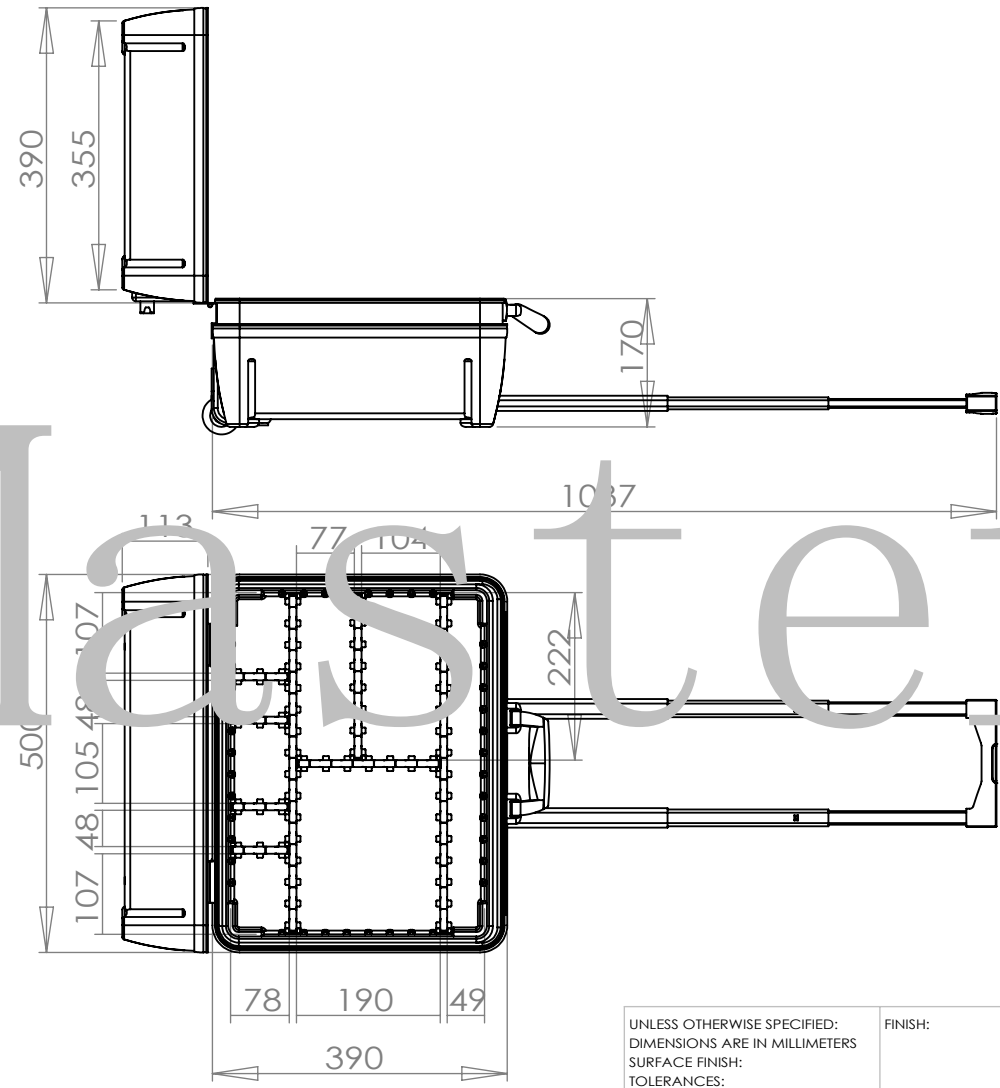
SCALE:1:1

SHEET 1 OF 1

1 2 3 4 5 6

A

A



B

C

C

D

1

2

UNLESS OTHERWISE SPECIFIED:
DIMENSIONS ARE IN MILLIMETERS
SURFACE FINISH:
TOLERANCES:
LINEAR:
ANGULAR:

FINISH:

DEBUR AND
BREAK SHARP
EDGES

DO NOT SCALE DRAWING

REVISION

北京马斯泰科贸有限公司
Beijing Master-Tec Co., Ltd.

	NAME	SIGNATURE	DATE		
DRAWN					
CHK'D					
APPV'D					
MFG					
Q.A				MATERIAL:	

TITLE:

拉杆工具箱底部分隔示意图
Bottom division for roller tool case

DWG NO. **RTC-02-510_divider_03**

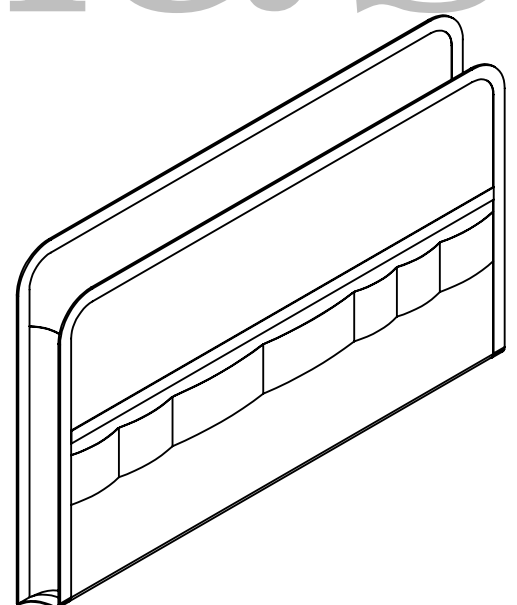
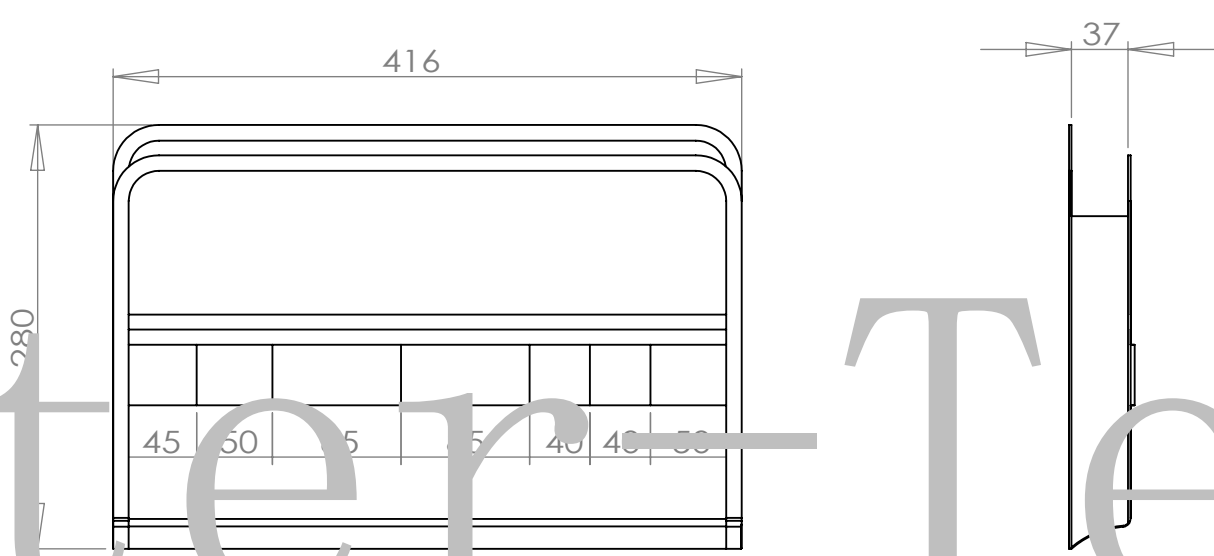
A4

WEIGHT:

SCALE:1:20

SHEET 1 OF 1

Master-Tec



UNLESS OTHERWISE SPECIFIED:
 DIMENSIONS ARE IN MILLIMETERS
 SURFACE FINISH:
 TOLERANCES:
 LINEAR:
 ANGULAR:

FINISH:

DEBUR AND
 BREAK SHARP
 EDGES

DO NOT SCALE DRAWING

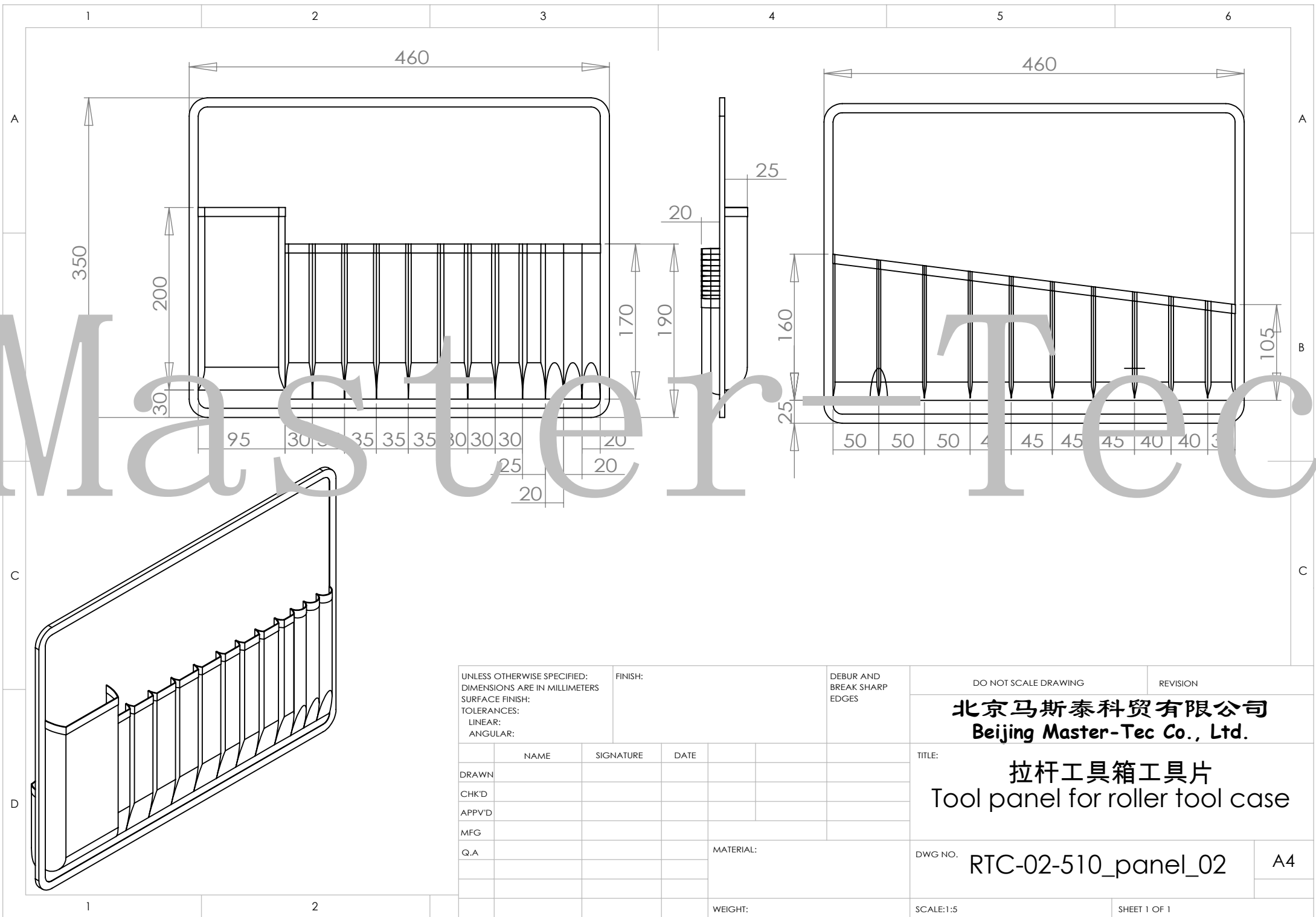
REVISION

北京马斯泰科贸有限公司
Beijing Master-Tec Co., Ltd.

	NAME	SIGNATURE	DATE		
DRAWN					
CHK'D					
APPV'D					
MFG					
Q.A				MATERIAL:	
				WEIGHT:	

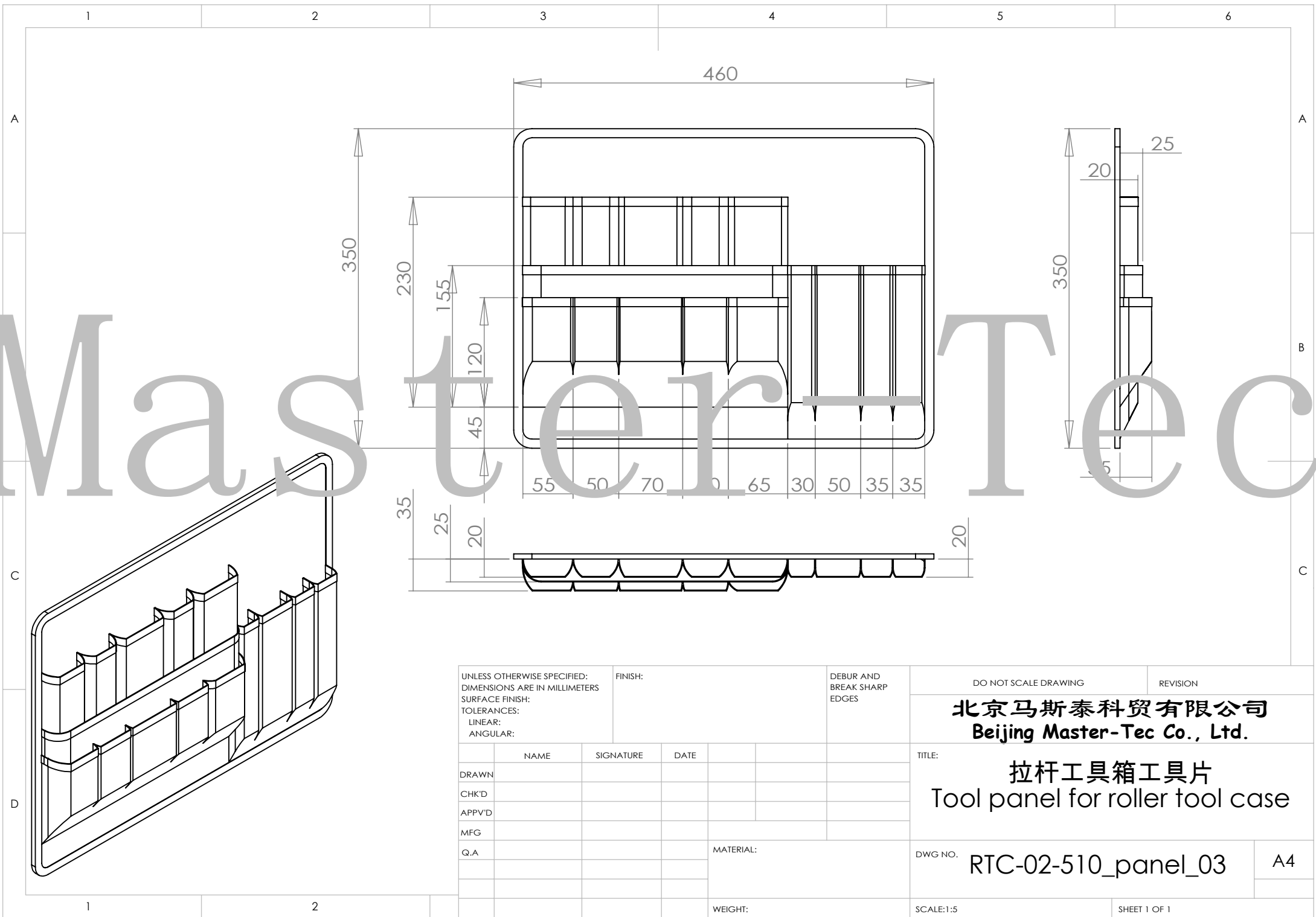
TITLE:
拉杆工具箱工具片
Tool panel for roller tool case

DWG NO. **RTC-02-510_panel_01** **A4**



UNLESS OTHERWISE SPECIFIED: DIMENSIONS ARE IN MILLIMETERS SURFACE FINISH: TOLERANCES: LINEAR: ANGULAR:		FINISH:		DEBUR AND BREAK SHARP EDGES	
DRAWN	NAME	SIGNATURE	DATE	MATERIAL:	WEIGHT:
CHK'D					
APPV'D					
MFG					
Q.A					

DO NOT SCALE DRAWING		REVISION	
北京马斯泰科贸有限公司 Beijing Master-Tec Co., Ltd.			
拉杆工具箱工具片 Tool panel for roller tool case			
DWG NO. RTC-02-510_panel_02		A4	
SCALE:1:5		SHEET 1 OF 1	



UNLESS OTHERWISE SPECIFIED:
 DIMENSIONS ARE IN MILLIMETERS
 SURFACE FINISH:
 TOLERANCES:
 LINEAR:
 ANGULAR:

FINISH:
 DEBUR AND
 BREAK SHARP
 EDGES

DO NOT SCALE DRAWING
 REVISION

北京马斯泰科贸有限公司
Beijing Master-Tec Co., Ltd.

	NAME	SIGNATURE	DATE		
DRAWN					
CHK'D					
APPV'D					
MFG					
Q.A				MATERIAL:	

TITLE:
拉杆工具箱工具片
Tool panel for roller tool case

DWG NO. **RTC-02-510_panel_03** **A4**

WEIGHT:

SCALE:1:5
 SHEET 1 OF 1