

Master-Tec

UNLESS OTHERWISE SPECIFIED:
 DIMENSIONS ARE IN MILLIMETERS
 SURFACE FINISH:
 TOLERANCES:
 LINEAR:
 ANGULAR:
 FINISH:
 DEBUR AND
 BREAK SHARP
 EDGES

DO NOT SCALE DRAWING REVISION

北京马斯泰科贸有限公司
 Beijing Master-Tec Co., Ltd.

	NAME	SIGNATURE	DATE		
DRAWN					
CHK'D					
APPV'D					
MFG					
Q.A					

TITLE:
 手提工具箱
 Handy tool case

DWG NO. HTC-02-480 A4

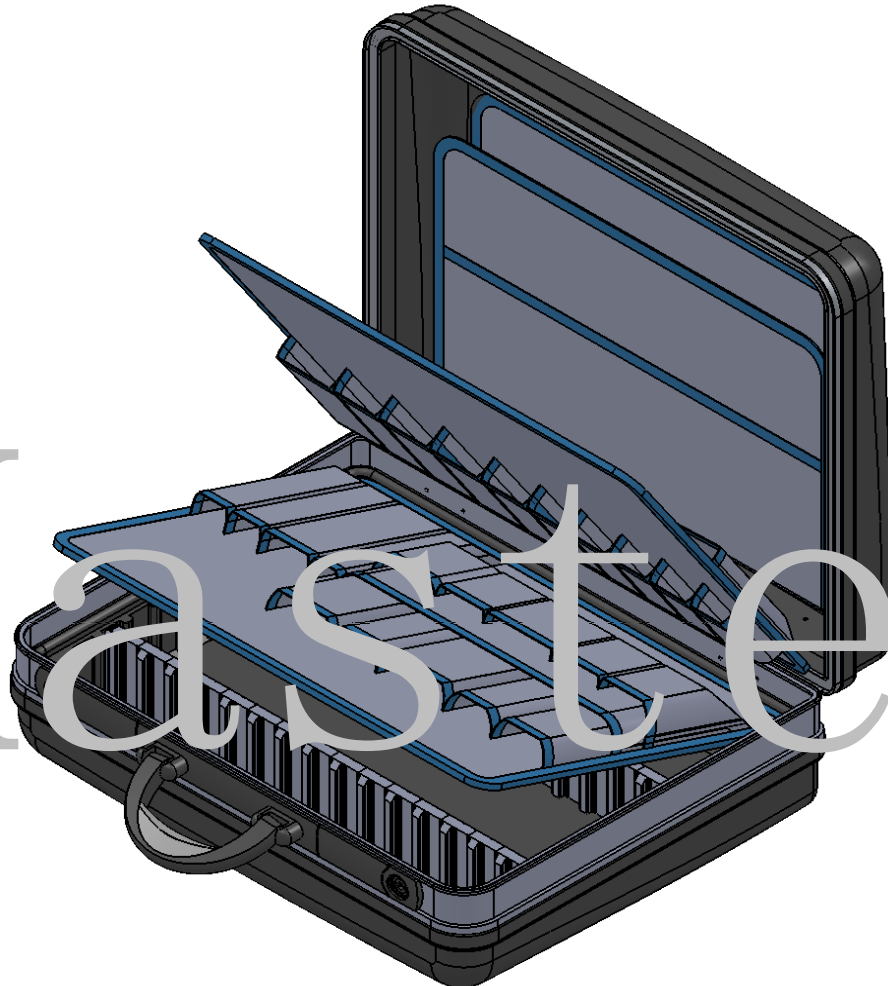
WEIGHT:

SCALE:1:1 SHEET 1 OF 1

1 2 3 4 5 6

A

A



B

C

Master-Tec

C

D

UNLESS OTHERWISE SPECIFIED:
 DIMENSIONS ARE IN MILLIMETERS
 SURFACE FINISH:
 TOLERANCES:
 LINEAR:
 ANGULAR:
 FINISH:
 DEBUR AND
 BREAK SHARP
 EDGES

DO NOT SCALE DRAWING REVISION

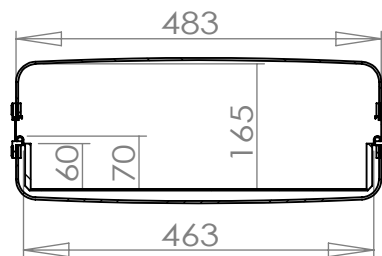
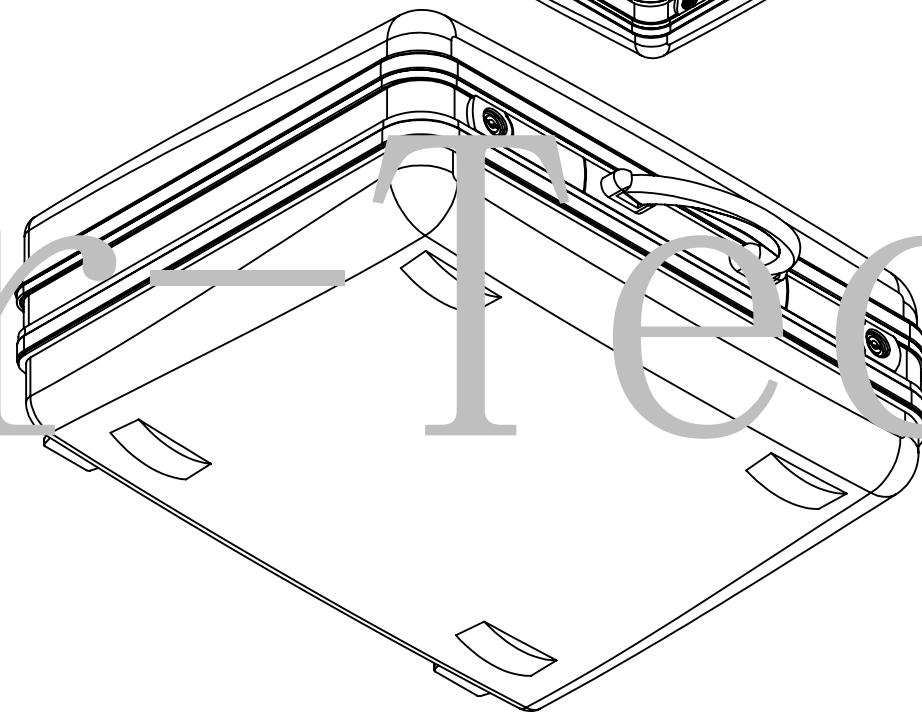
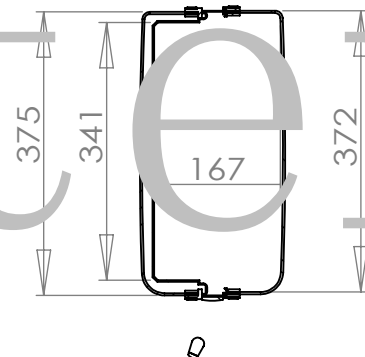
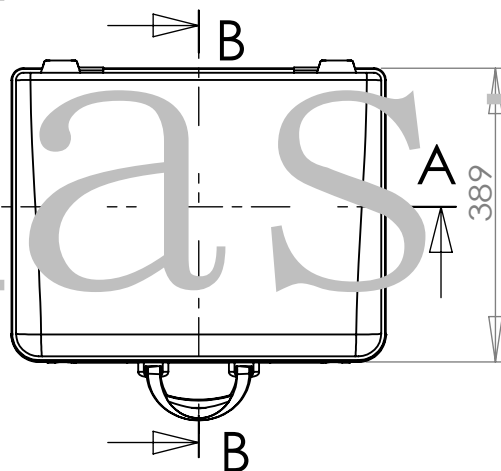
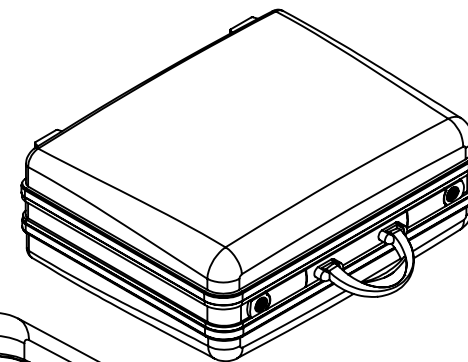
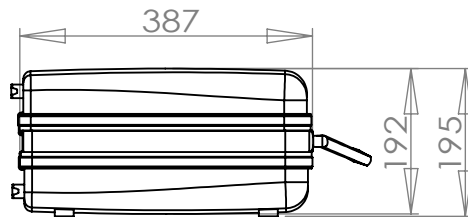
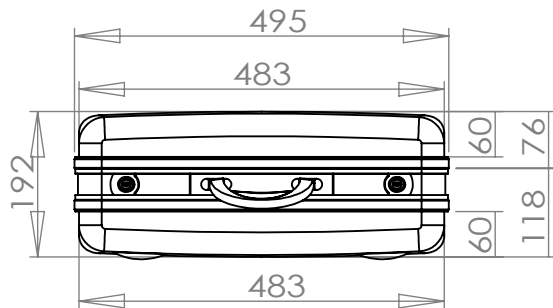
北京马斯泰科贸有限公司
 Beijing Master-Tec Co., Ltd.

	NAME	SIGNATURE	DATE		
DRAWN					
CHK'D					
APPV'D					
MFG					
Q.A					

TITLE:
 手提工具箱
 Handy tool case

DWG NO. HTC-02-480 A4

1 2 WEIGHT: SCALE:1:1 SHEET 1 OF 1

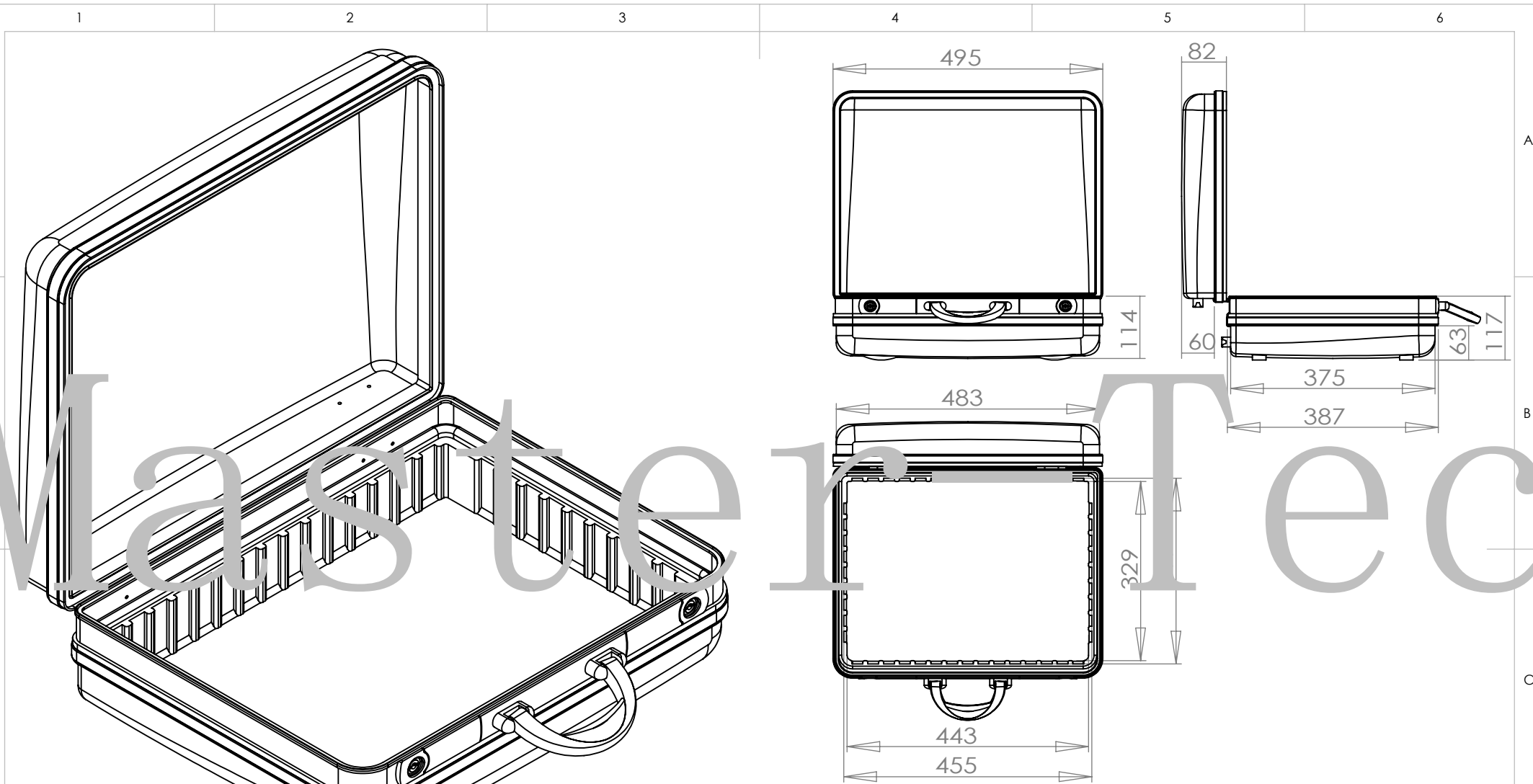


剖面 B-B

剖面 A-A

UNLESS OTHERWISE SPECIFIED: DIMENSIONS ARE IN MILLIMETERS SURFACE FINISH: TOLERANCES: LINEAR: ANGULAR:		FINISH:		DEBUR AND BREAK SHARP EDGES	
DRAWN	NAME	SIGNATURE	DATE		
CHK'D					
APPV'D					
MFG					
Q.A				MATERIAL:	
				WEIGHT:	

DO NOT SCALE DRAWING		REVISION	
北京马斯泰科贸有限公司 Beijing Master-Tec Co., Ltd.			
TITLE: 手提工具箱 Handy tool case			
DWG NO. HTC-02-480		A4	
SCALE:1:10		SHEET 1 OF 1	



UNLESS OTHERWISE SPECIFIED:
 DIMENSIONS ARE IN MILLIMETERS
 SURFACE FINISH:
 TOLERANCES:
 LINEAR:
 ANGULAR:

FINISH:

DEBUR AND
 BREAK SHARP
 EDGES

DO NOT SCALE DRAWING

REVISION

北京马斯泰科贸有限公司
Beijing Master-Tec Co., Ltd.

	NAME	SIGNATURE	DATE		
DRAWN					
CHK'D					
APPV'D					
MFG					
Q.A					

TITLE:

手提工具箱
Handy tool case

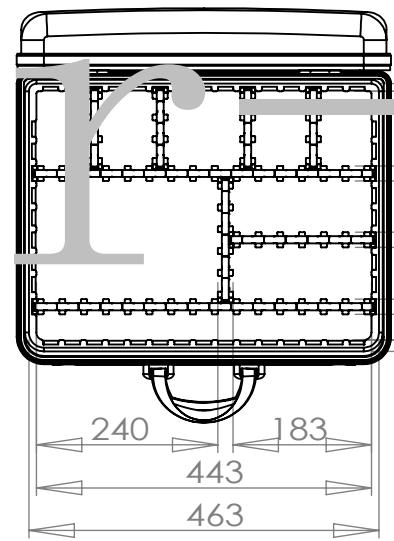
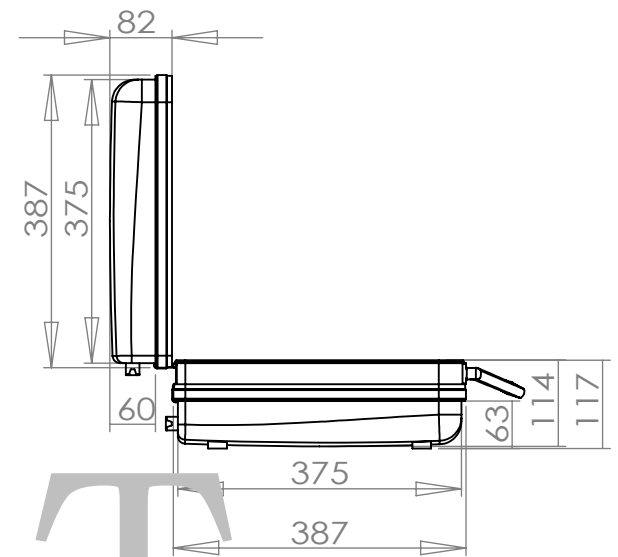
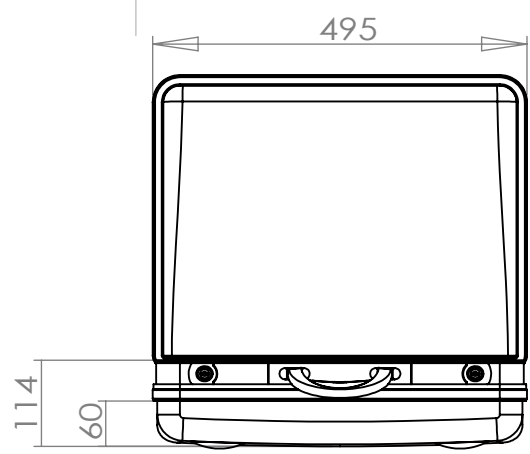
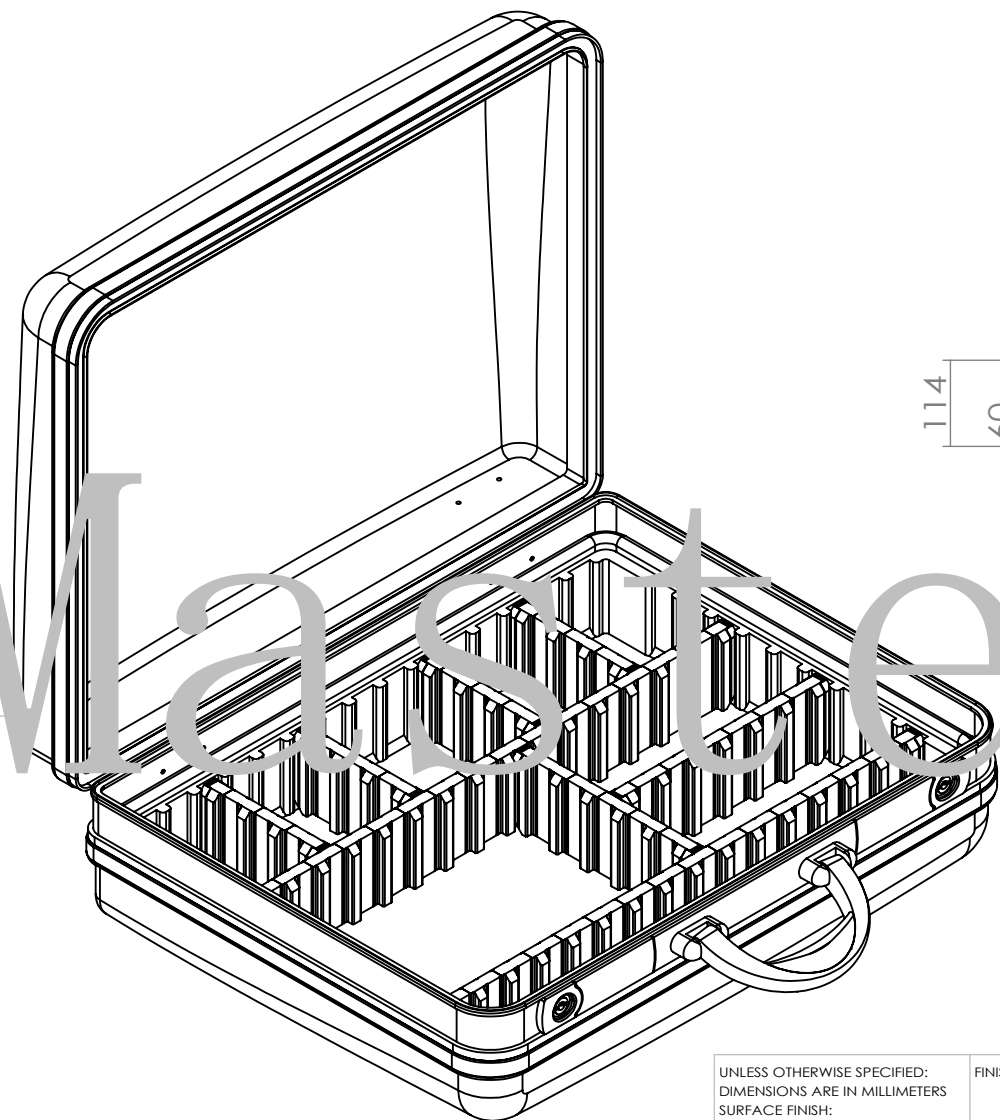
DWG NO. **HTC-02-480**

A4

WEIGHT:

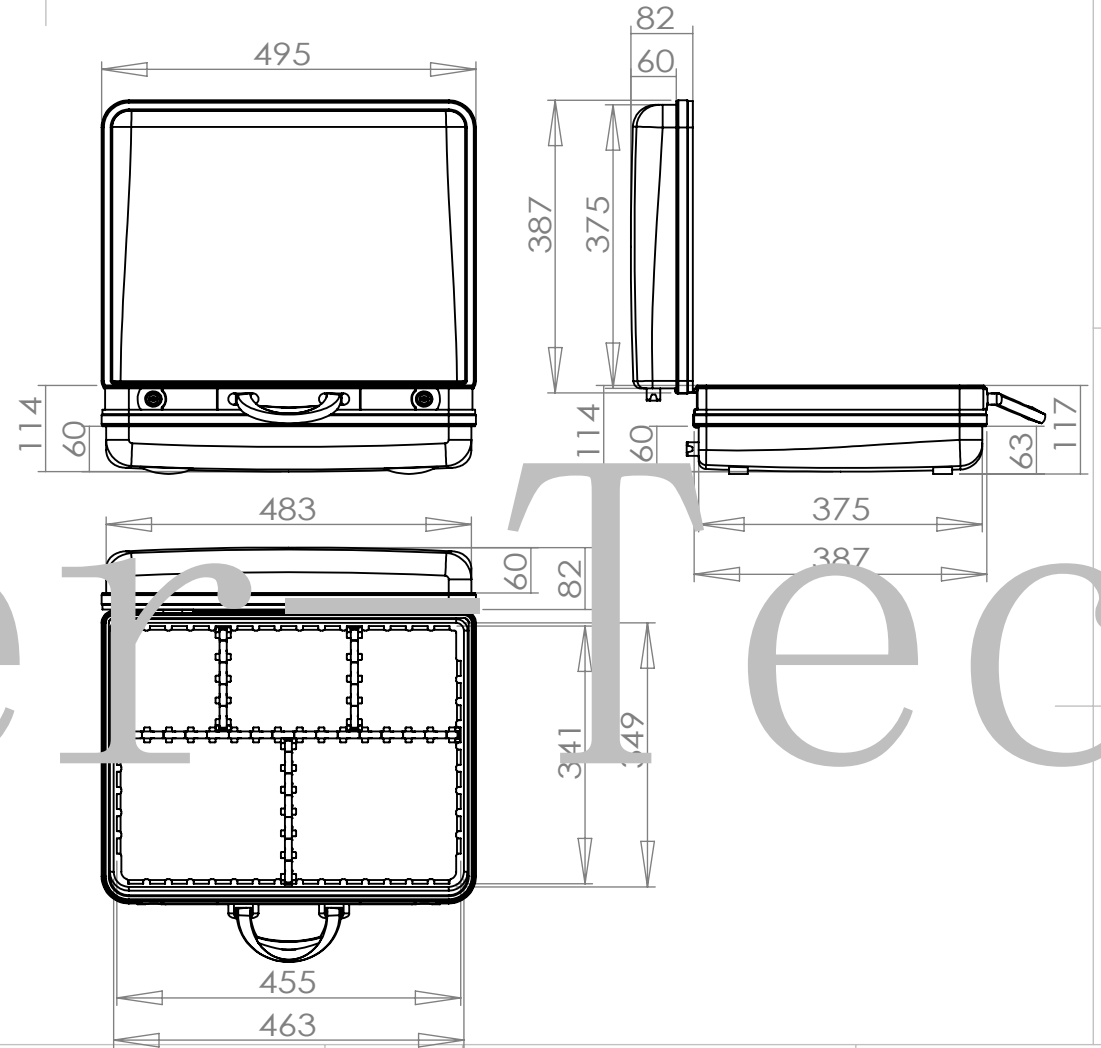
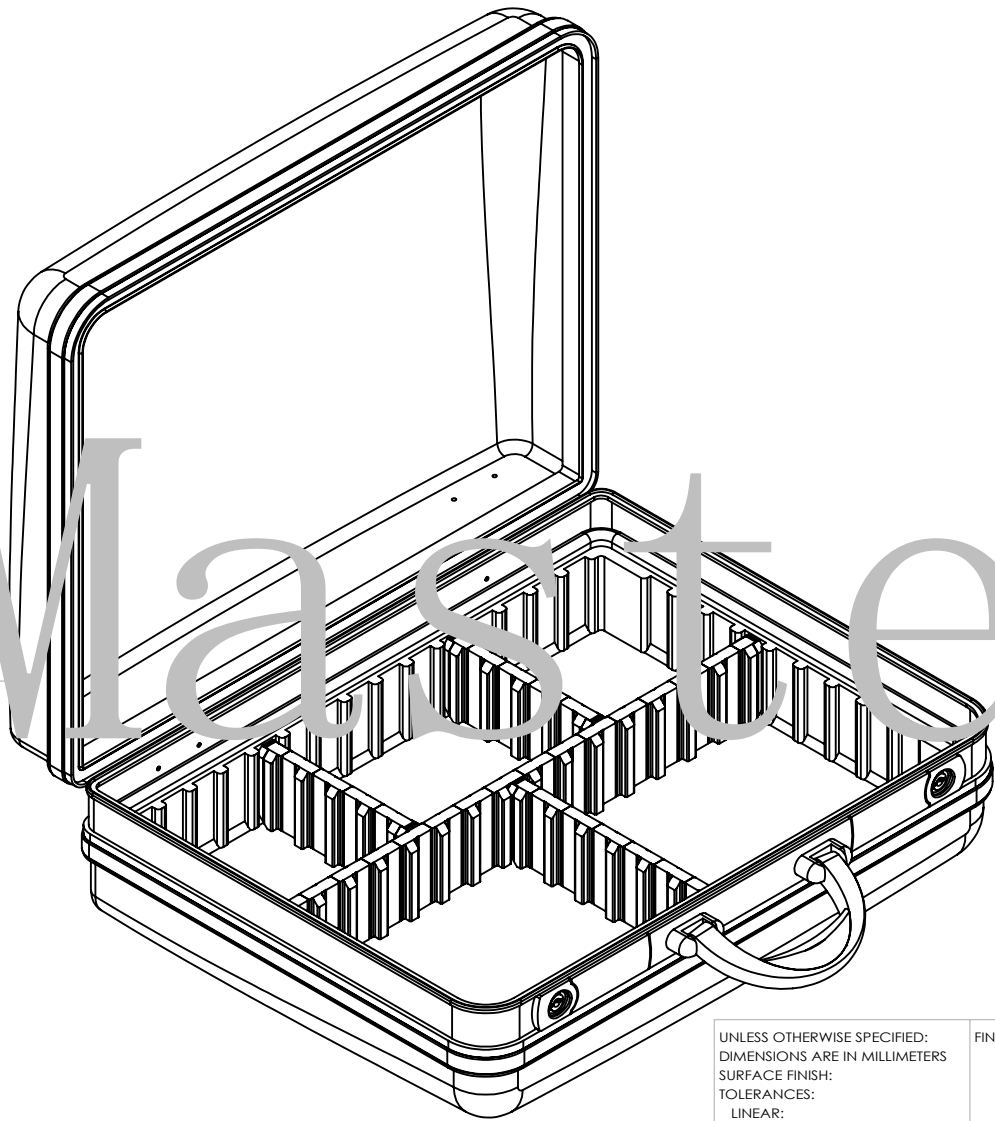
SCALE:1:10

SHEET 1 OF 1



UNLESS OTHERWISE SPECIFIED: DIMENSIONS ARE IN MILLIMETERS SURFACE FINISH: TOLERANCES: LINEAR: ANGULAR:		FINISH:		DEBUR AND BREAK SHARP EDGES	
DRAWN		SIGNATURE		DATE	
CHK'D					
APPV'D					
MFG					
Q.A				MATERIAL:	
				WEIGHT:	

DO NOT SCALE DRAWING		REVISION	
北京马斯泰科贸有限公司 Beijing Master-Tec Co., Ltd.			
TITLE:			
手提工具箱底部分隔示意图 Bottom division for handy tool case			
DWG NO.		A4	
HTC-02-480_divider_02			
SCALE:1:10	SHEET 1 OF 1		



UNLESS OTHERWISE SPECIFIED:
 DIMENSIONS ARE IN MILLIMETERS
 SURFACE FINISH:
 TOLERANCES:
 LINEAR:
 ANGULAR:

FINISH:
 DEBUR AND
 BREAK SHARP
 EDGES

DO NOT SCALE DRAWING
 REVISION

北京马斯泰科贸有限公司
Beijing Master-Tec Co., Ltd.

	NAME	SIGNATURE	DATE		
DRAWN					
CHK'D					
APPV'D					
MFG					
Q.A					
				MATERIAL:	
				WEIGHT:	

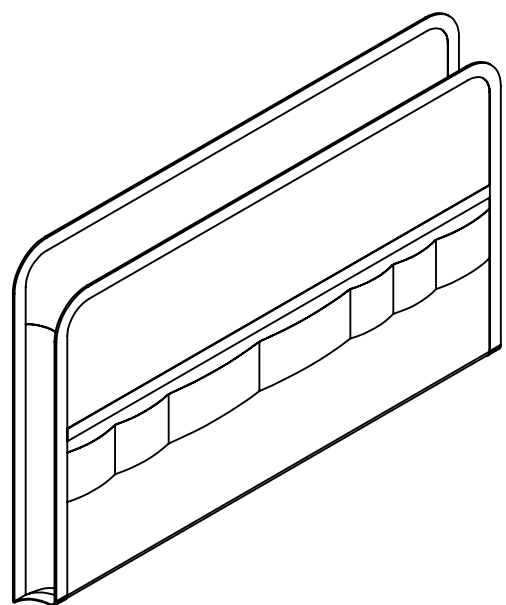
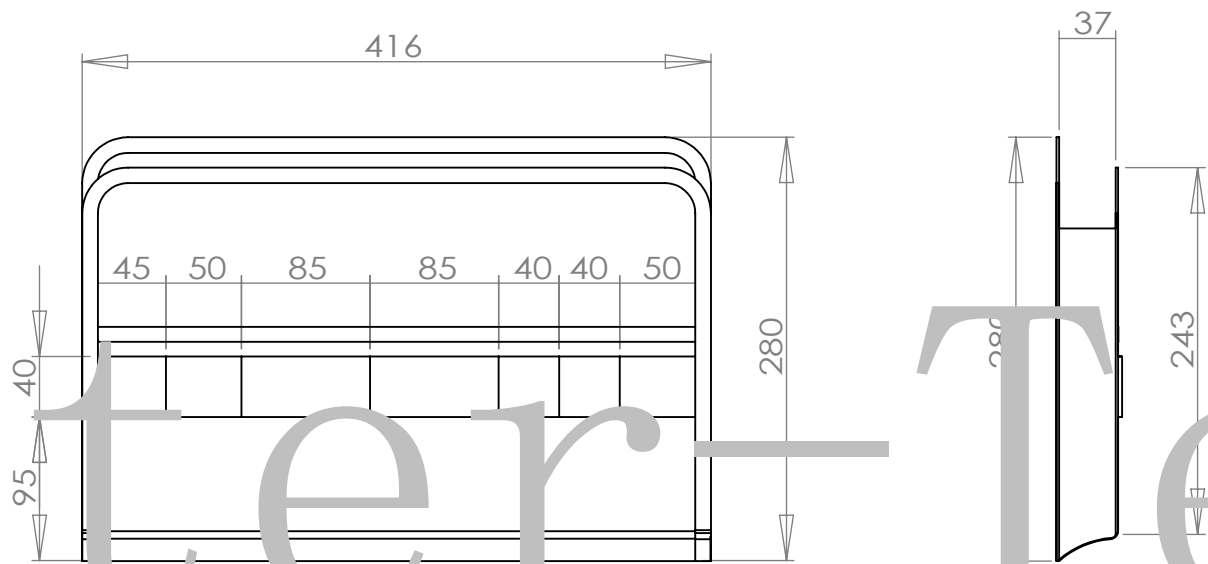
TITLE:
手提工具箱底部分隔示意图
Bottom division for handy tool case

DWG NO.
HTC-02-480_divider_03

SCALE:1:10
 SHEET 1 OF 1

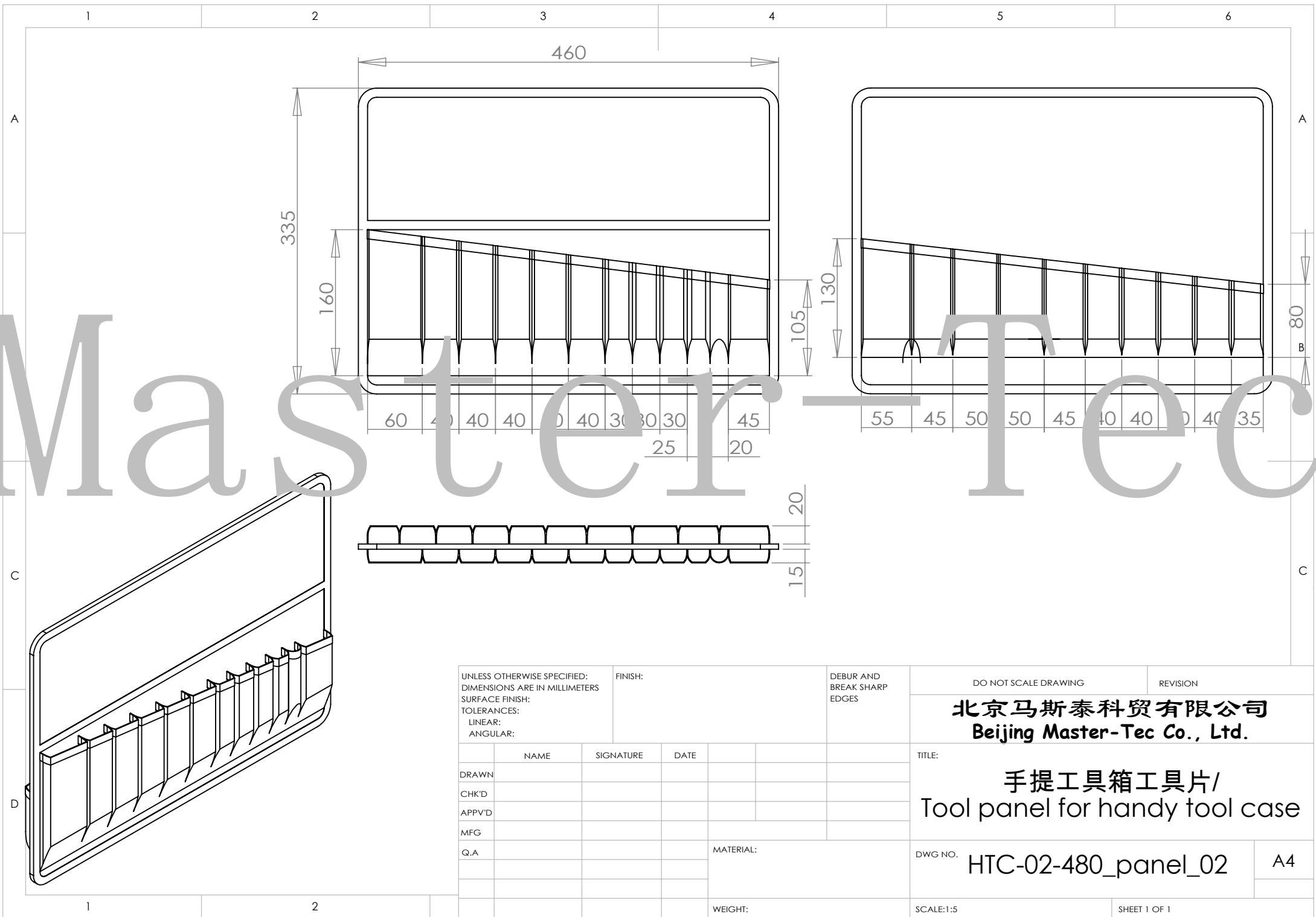
A4

Master-Tec



UNLESS OTHERWISE SPECIFIED: DIMENSIONS ARE IN MILLIMETERS SURFACE FINISH: TOLERANCES: LINEAR: ANGULAR:		FINISH:		DEBUR AND BREAK SHARP EDGES	
NAME	SIGNATURE	DATE			
DRAWN					
CHK'D					
APPV'D					
MFG					
Q.A				MATERIAL:	
				WEIGHT:	

DO NOT SCALE DRAWING		REVISION	
北京马斯泰科贸有限公司 Beijing Master-Tec Co., Ltd.			
TITLE:			
手提工具箱工具片/ Tool panel for handy tool case			
DWG NO.		A4	
HTC-02-480_panel_01			
SCALE:1:1	SHEET 1 OF 1		



UNLESS OTHERWISE SPECIFIED:
 DIMENSIONS ARE IN MILLIMETERS
 SURFACE FINISH:
 TOLERANCES:
 LINEAR:
 ANGULAR:

FINISH:

 DEBUR AND
 BREAK SHARP
 EDGES

DO NOT SCALE DRAWING
 REVISION

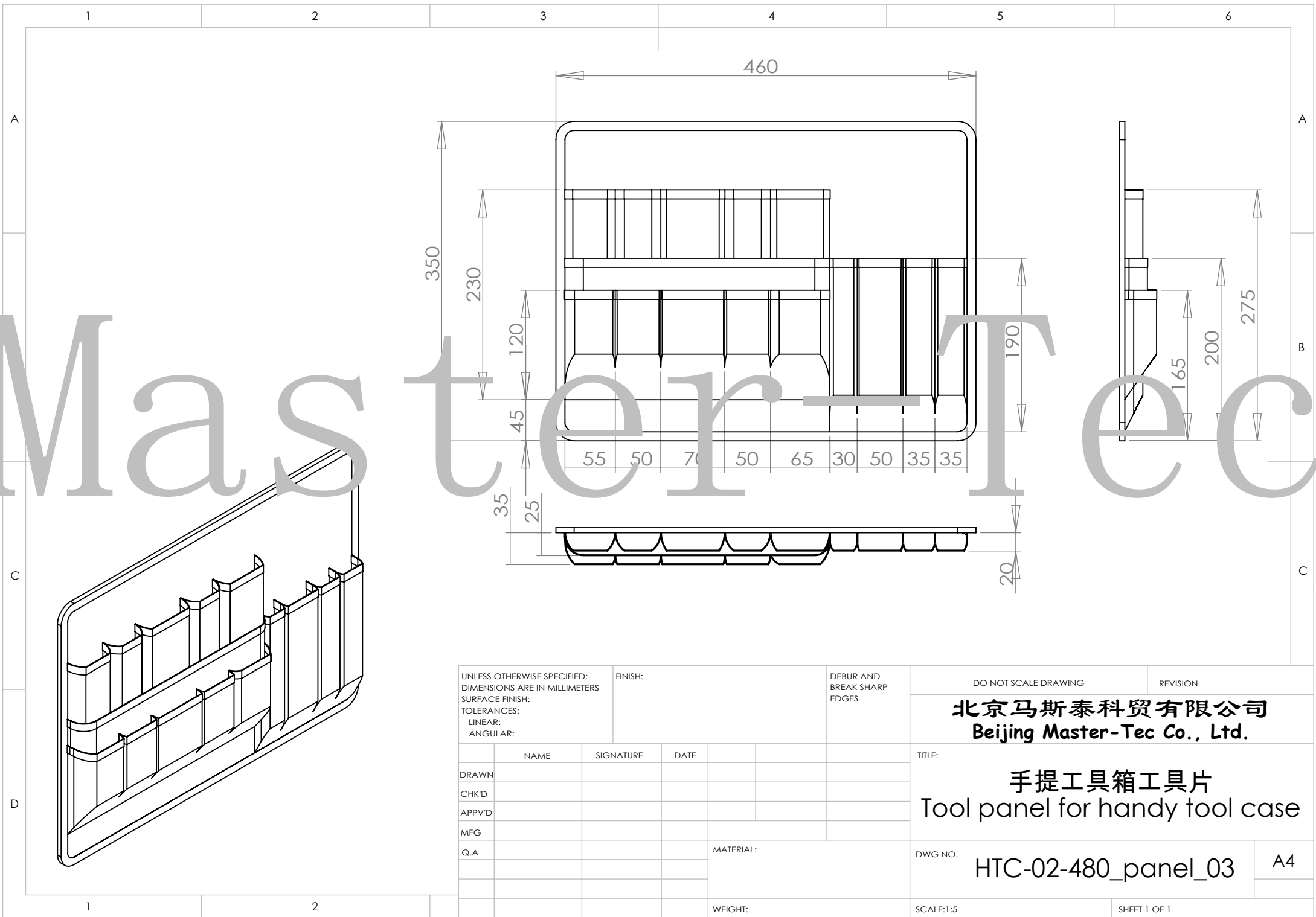
北京马斯泰科贸有限公司
Beijing Master-Tec Co., Ltd.

	NAME	SIGNATURE	DATE		
DRAWN					
CHK'D					
APPV'D					
MFG					
Q.A				MATERIAL:	
				WEIGHT:	

TITLE:
手提工具箱工具片/
Tool panel for handy tool case

DWG NO. **HTC-02-480_panel_02** **A4**

SCALE:1:5
 SHEET 1 OF 1



UNLESS OTHERWISE SPECIFIED:
 DIMENSIONS ARE IN MILLIMETERS
 SURFACE FINISH:
 TOLERANCES:
 LINEAR:
 ANGULAR:

FINISH:

DEBUR AND
 BREAK SHARP
 EDGES

DO NOT SCALE DRAWING

REVISION

北京马斯泰科贸有限公司
Beijing Master-Tec Co., Ltd.

	NAME	SIGNATURE	DATE		
DRAWN					
CHK'D					
APPV'D					
MFG					
Q.A				MATERIAL:	
				WEIGHT:	

TITLE:
手提工具箱工具片
Tool panel for handy tool case

DWG NO. **HTC-02-480_panel_03**

SCALE:1:5

SHEET 1 OF 1

A4